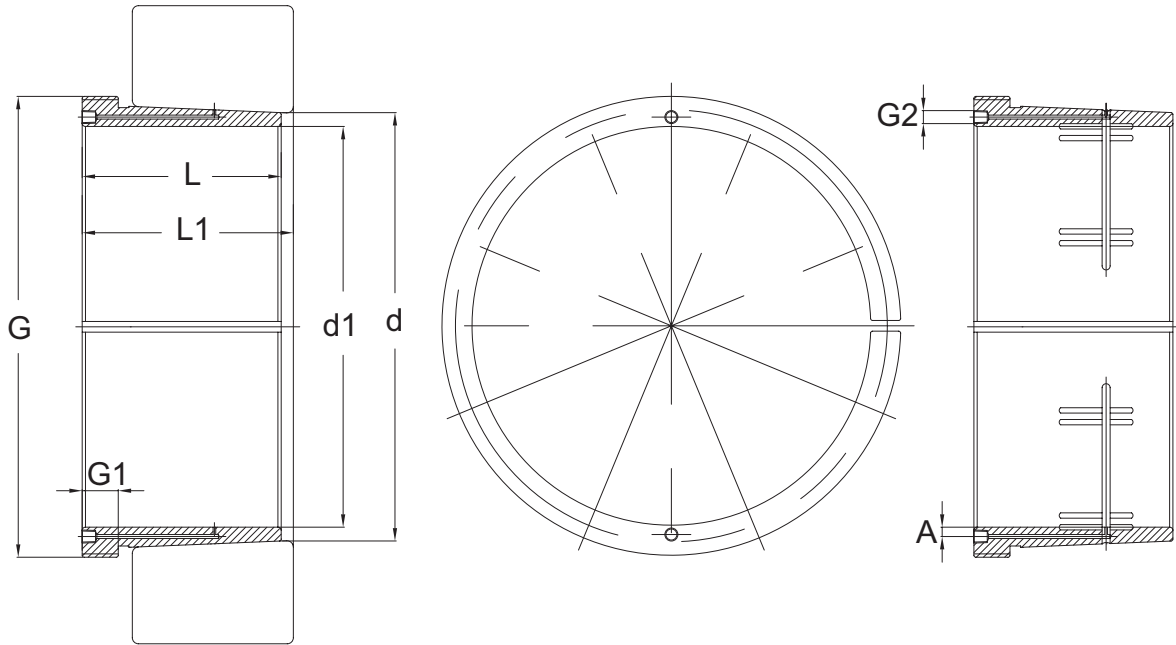


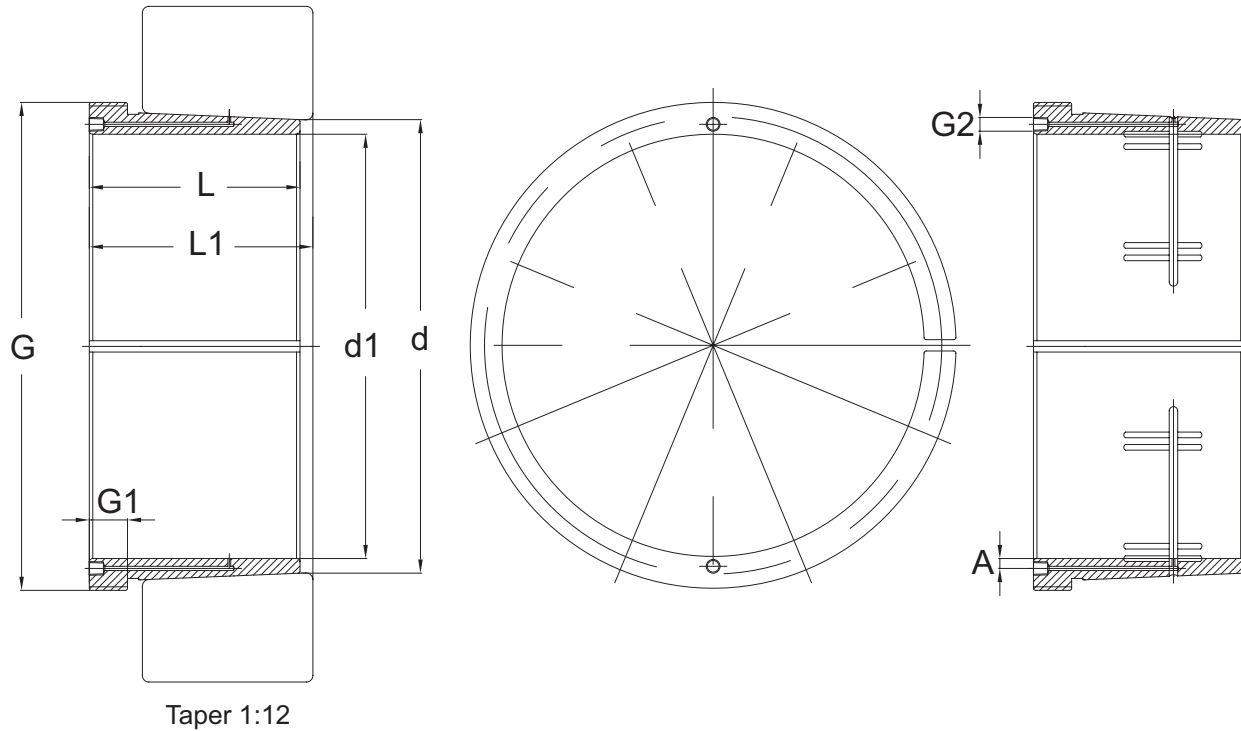
Hydraulic Withdrawal Sleeves



Taper 1:12

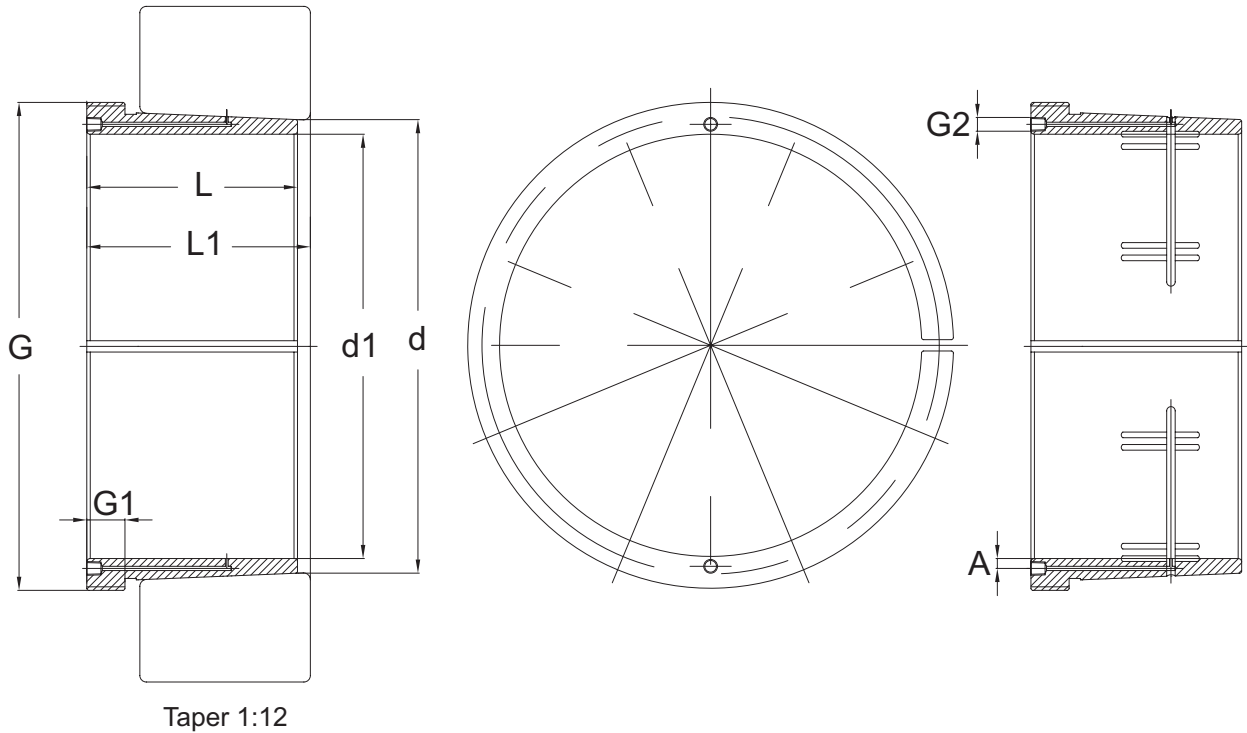
No.	d1	d	L	L1	G	G1	G2	A	Weight	Appropriate nut for dismounting	Hydraulic nut	Nut + Locking device for locking on the shaft
	mm								kg			
AOH2244	200	220	130	136	Tr240x4	20	G 1/8	9	9.40	HM 3048	HMV 48E	KM 40+MB 40
AOH2248	220	240	144	150	Tr260x4	21	G 1/8	9	11.5	HM 3052	HMV 52E	HM 3044+MS 3044
AOH2252G	240	260	155	161	Tr280x4	23	G 1/8	9	13.5	HM 3056	HMV 56E	HM 3048+MS 3052-48
AOH2256G	260	280	155	163	Tr300x4	24	G 1/8	9	15.0	HM 3160	HMV 60E	HM 3052+MS 3052-48
AOH2260G	280	300	170	178	Tr320x5	26	G 1/8	9	18.0	HM 3164	HMV 64E	HM 3056+MS 3056
AOH2264G	300	320	180	190	Tr340x5	27	G 1/8	9	20.0	HM 3168	HMV 68E	HM 3060+MS 3060
AOH2344	200	220	181	189	Tr240x4	30	G 1/8	9	13.5	HM 3048	HMV 48E	KM 40+MB 40
AOH2348	220	240	189	197	Tr260x4	30	G 1/8	9	14.0	HM 3052	HMV 52E	HM 3044+MS 3044
AOH2352G	240	260	205	213	Tr280x4	30	G 1/8	9	19.0	HM 3056	HMV 56E	HM 3048+MS 3052-48
AOH2356G	260	280	212	220	Tr300x4	30	G 1/8	9	21.5	HM 3160	HMV 60E	HM 3052+MS 3052-48
AOH3264G	300	320	246	254	Tr340x5	36	G 1/8	9	27.5	HM 3168	HMV 68E	HM 3060+MS 3060
AOH3268G	320	340	264	273	Tr360x5	38	G 1/8	9	32.0	HM 3172	HMV 72E	HM 3064+MS 3068-64
AOH3272G	340	360	274	283	Tr380x5	40	G 1/8	9	35.5	HM 3176	HMV 76E	HM 3068+MS 3068-64
AOH3276G	360	380	284	294	Tr400x5	42	G 1/8	9	42.0	HM 3180	HMV 80E	HM 3072+MS 3072
AOH3280G	380	400	302	312	Tr420x5	44	G 1/8	9	48.0	HM 3184	HMV 84E	HM 3076+MS 3080-76
AOH3284G	400	420	321	331	Tr440x5	46	G 1/8	9	54.5	HM 3188	HMV 88E	HM 3080+MS 3080-76
AOH3288G	420	440	330	341	Tr460x5	48	G 1/8	9	64.5	HM 3192	HMV 92E	HM 3084+MS 3084
AOHX3292G	440	460	349	360	Tr480x5	50	G 1/8	9	80.0	HM 3196	HMV 96E	HM 3088+MS 3092-88
AOHX3296G	460	480	364	376	Tr500x5	52	G 1/8	9	81.0	HM 31/500	HMV 100E	HM 3092+MS 3092-88
AOHX32/500G	480	500	393	405	Tr530x6	54	G 1/8	9	89.5	HM 31/530	HMV 106E	HM 3096+MS 30/500-96
AOHX32/530G	500	530	412	424	Tr560x6	57	G 1/8	10	127	HM 31/560	HMV 112E	HM 30/500+MS 30/500-96
AOHX32/560	530	560	422	434	Tr600x6	57	G 1/8	11	143	HM 31/600	HMV 120E	HM 30/530+MS 30/600-530
AOHX32/600G	570	600	445	459	Tr630x6	57	G 1/8	11	159	HM 31/630	HMV 126E	HM 30/560+MS 30/560
AOH32/630G	600	630	475	489	Tr670x6	63	G 1/8	11	188	HM 31/670	HMV 134E	HM 30/600+MS 30/600-530
AOH32/670G	630	670	500	514	Tr710x7	62	G 1/8	12	252	HM 31/710	HMV 142E	HM 30/630+MS 30/630
AOH32/710G	670	710	515	531	Tr750x7	65	G 1/8	15	278	HM 31/750	HMV 150E	HM 30/670+MS 30/670
AOH32/750	710	750	540	556	Tr800x7	65	G 1/8	15	320	HM 31/800	HMV 160E	HM 30/710+MS 30/710
AOH32/800G	750	800	550	568	Tr850x7	67	G 1/8	15	401	HM 31/850	HMV 170E	HM 30/750+MS 30/800-750
AOH32/850	800	850	585	603	Tr900x7	70	G 1/8	15	461	HM 31/900	HMV 180E	HM 30/800+MS 30/800-750
AOH32/900	850	900	585	605	Tr950x8	70	G 1/8	15	489	HM 31/950	HMV 190E	HM 30/850+MS 30/900-850
AOH32/950	900	950	600	620	Tr1000x8	70	G 1/8	15	533	HM 31/1000	HMV 200E	HM 30/900+MS 30/900-850
AOH32/1000	950	1000	630	652	Tr1060x8	70	G 1/8	15	608	HM 31/1060	HMV 212E	HM 30/950+MS 30/950

Hydraulic Withdrawal Sleeves



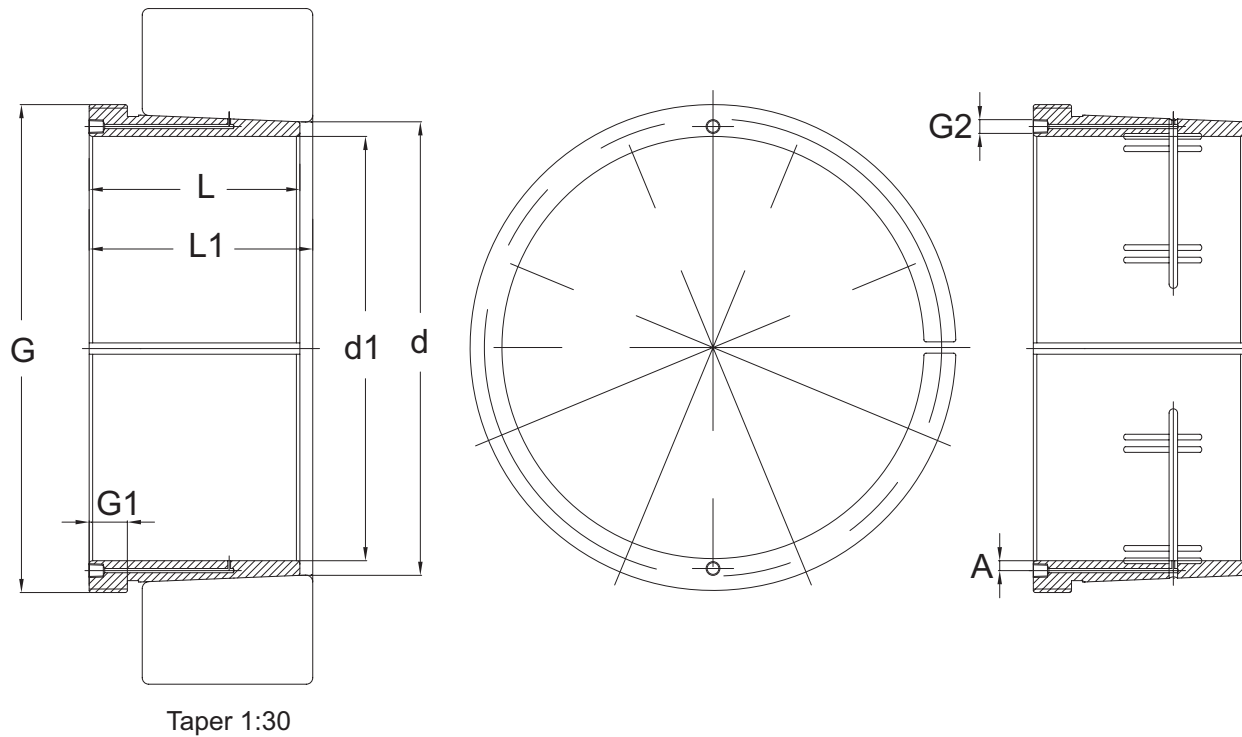
No.	d1	d	L	L1	G	G1	G2	A	Weight	Appropriate nut for dismounting	Hydraulic nut	Nut + Locking device for locking on the shaft
	mm								kg			
AOH3044G	200	220	111	117	Tr230×4	20	G 1/8	6.5	7.30	HM 46T	HMV 46E	KM 40+MB 40
AOH3048	220	240	116	123	Tr260×4	21	G 1/8	9	7.95	HM 3052	HMV 52E	HM 3044+MS 3044
AOH3052	240	260	128	135	Tr280×4	23	G 1/8	9	9.60	HM 3056	HMV 56E	HM 3048+MS 3052-48
AOH3056	260	280	131	139	Tr300×4	24	G 1/8	9	11.0	HM 3060	HMV 60E	HM 3052+MS 3052-48
AOH3060	280	300	145	153	Tr320×5	26	G 1/8	9	13.0	HM 3064	HMV 64E	HM 3056+MS 3056
AOH3064G	300	320	149	157	Tr340×5	27	G 1/8	9	17.0	HM 3068	HMV 68E	HM 3060+MS 3060
AOH3068G	320	340	162	171	Tr360×5	28	G 1/8	9	19.0	HM 3072	HMV 72E	KM 3064+MS 3068-64
AOH3072G	340	360	167	176	Tr380×5	30	G 1/8	9	21.0	HM 3076	HMV 76E	HM 3068+MS 3068-64
AOH3076G	360	380	170	180	Tr400×5	31	G 1/8	9	22.5	HM 3080	HMV 80E	HM 3072+MS 3072
AOH3080G	380	400	183	193	Tr420×5	33	G 1/8	9	26.0	HM 3084	HMV 84E	HM 3076+MS 3076
AOH3084G	400	420	186	196	Tr440×5	34	G 1/8	9	28.0	HM 3088	HMV 88E	HM 3084+MS 3080-76
AOHX3088G	420	440	194	205	Tr460×5	35	G 1/8	9	31.0	HM 3092	HMV 92E	HM 3084+MS 3084
AOHX3092G	440	460	202	213	Tr480×5	37	G 1/8	9	34.0	HM 3096	HMV 96E	HM 3088+MS 3092-88
AOHX3096G	460	480	205	217	Tr500×5	38	G 1/8	9	34.0	HM 30/500	HMV 100E	HM 3092+MS 3092-88
AOHX30/500G	480	500	209	221	Tr530×6	40	G 1/8	9	41.0	HM 30/530	HMV 106E	HM 3096+MS 30/500-96
AOHX30/530	500	530	230	242	Tr560×6	45	G 1/8	10	63.5	HM 30/560	HMV 112E	HM 30/500+MS 30/500-96
AOHX30/560	530	560	240	252	Tr600×6	45	G 1/8	11	73.5	HM 30/600	HMV 120E	HM 30/530+MS 30/600-530
AOHX30/600	570	600	245	259	Tr630×6	45	G 1/8	11	77.0	HM 30/630	HMV 126E	HM 30/560+MS 30/560
AOH30/630	600	630	258	272	Tr670×6	46	G 1/8	11	88.5	HM 30/670	HMV 134E	HM 30/600+MS 30/600-530
AOH30/670	630	670	280	294	Tr710×7	50	G 1/8	12	125	HM 30/710	HMV 142E	HM 30/630+MS 30/630
AOHX30/710	670	710	286	302	Tr750×7	50	G 1/8	15	138	HM 30/750	HMV 150E	HM 30/670+MS 30/670
AOH30/750	710	750	300	316	Tr800×7	50	G 1/8	15	145	HM 30/800	HMV 160E	HM 30/710+MS 30/710
AOH30/800	750	800	308	326	Tr850×7	50	G 1/8	15	204	HM 30/850	HMV 170E	HM 30/750+MS 30/800-750
AOH30/850	800	850	325	343	Tr900×7	53	G 1/8	15	230	HM 30/900	HMV 180E	HM 30/800+MS 30/800-750
AOH30/900	850	900	335	355	Tr950×8	55	G 1/8	15	250	HM 30/950	HMV 190E	HM 30/850+MS 30/900-850
AOH30/950	850	900	355	375	Tr1000×8	55	G 1/8	15	285	HM 30/1000	HMV 200E	HM 30/900+MS 30/900-850
AOH30/1000	950	1000	365	387	Tr1060×8	57	G 1/8	15	318	HM 30/1060	HMV 212E	HM 30/950+MS 30/950
AOH30/1060	1000	1060	385	407	Tr1120×8	60	G 1/8	15	406	HM 30/1120	HMV 224E	HM 30/1000+MS 30/1000

Hydraulic Withdrawal Sleeves



No.	d1	d	L	L1	G	G1	G2	A	Weight	Appropriate nut for dismantling	Hydraulic nut	Nut + Locking device for locking on the shaft
	mm								kg			
AOH3144	200	220	145	151	Tr240x4	23	G 1/8	9	9.30	HM 3048	HMV 48E	KM 40+MB 40
AOH3142	220	240	154	161	Tr260x4	25	G 1/8	9	12.0	HM 3052	HMV 52E	HM 3044+MS 3044
AOH3152G	240	260	172	179	Tr280x4	26	G 1/8	9	15.5	HM 3056	HMV 56E	HM 3048+MS 3052-48
AOH3156G	260	280	175	183	Tr300x4	28	G 1/8	9	17.0	HM 3160	HMV 60E	HM 3052+MS 3052-48
AOH3160G	280	300	192	200	Tr320x5	30	G 1/8	9	20.5	HM 3164	HMV 64E	HM 3056+MS 3056
AOH3164G	300	320	209	217	Tr340x5	31	G 1/8	9	24.5	HM 3168	HMV 68E	HM 3060+MS 3060
AOH3168G	320	340	225	234	Tr360x5	33	G 1/8	9	28.5	HM 3172	HMV 72E	KM 3064+MS 3068-64
AOH3172G	340	360	229	238	Tr380x5	35	G 1/8	9	30.5	HM 3176	HMV 76E	HM 3068+MS 3068-64
AOH3176G	360	380	232	242	Tr400x5	36	G 1/8	9	33.0	HM 3180	HMV 80E	HM 3072+MS 3072
AOH3180G	380	400	240	250	Tr420x5	38	G 1/8	9	36.0	HM 3184	HMV 84E	HM 3076+MS 3080-76
AOH3184G	400	420	266	276	Tr440x5	40	G 1/8	9	43.0	HM 3188	HMV 88E	HM 3080+MS 3080-76
AOHX3188G	420	440	270	281	Tr460x5	42	G 1/8	9	46.0	HM 3192	HMV 92E	HM 3084+MS 3084
AOHX3192G	440	460	285	296	Tr480x5	43	G 1/8	9	51.5	HM 3196	HMV 96E	HM 3088+MS 3092-88
AOHX3196G	460	480	295	307	Tr500x5	45	G 1/8	9	63.0	HM 31/500	HMV 100E	HM 3092+MS 3092-88
AOHX31/500G	480	500	313	325	Tr530x6	47	G 1/8	9	66.5	HM 31/530	HMV 106E	HM 3096+MS 30/500-96
AOH31/530	500	530	325	337	Tr560x6	53	G 1/8	10	93.5	HM 31/560	HMV 112E	HM 30/500+MS 30/500-96
AOH31/560	530	560	335	347	Tr600x6	55	G 1/8	11	107	HM 30/600	HMV 120E	HM 30/530+MS 30/600-530
AOHX31/600	570	600	355	369	Tr630x6	55	G 1/8	11	120	HM 31/630	HMV 126E	HM 30/560+MS 30/560
AOH31/630	600	630	375	389	Tr670x6	60	G 1/8	11	139	HM 31/670	HMV 134E	HM 30/600+MS 30/600-530
AOHX31/670	630	670	395	409	Tr710x7	59	G 1/8	12	189	HM 31/710	HMV 142E	HM 30/630+MS 30/630
AOH31/710	670	710	405	421	Tr750x7	60	G 1/8	15	207	HM 31/750	HMV 150E	HM 30/670+MS 30/670
AOH31/750	710	750	425	441	Tr800x7	60	G 1/8	15	238	HM 31/800	HMV 160E	HM 30/710+MS 30/710
AOH31/800	750	800	438	456	Tr850x7	63	G 1/8	15	305	HM 31/850	HMV 170E	HM 30/750+MS 30/800-750
AOH31/850	800	850	462	480	Tr900x7	62	G 1/8	15	345	HM 31/900	HMV 180E	HM 30/800+MS 30/800-750
AOH31/900	850	900	475	495	Tr950x8	63	G 1/8	15	379	HM 31/950	HMV 190E	HM 30/850+MS 30/900-850
AOH31/950	900	950	500	520	Tr1000x8	62	G 1/8	15	426	HM 31/1000	HMV 200E	HM 30/900+MS 30/900-850
AOH31/1000	950	1000	525	547	Tr1060x8	63	G 1/8	15	485	HM 31/1060	HMV 212E	HM 30/950+MS 30/950
AOH31/1060	1000	1060	540	562	Tr1120x8	65	G 1/8	15	599	HM 31/1120	HMV 224E	HM 30/1000+MS 30/1000

Hydraulic Withdrawal Sleeves



No.	d1	d	L	L1	G	G1	G2	A	Weight	Appropriate nut for dismounting	Hydraulic nut	Nut + Locking device for locking on the shaft
	mm								kg			
AOH24044	200	220	138	152	Tr230×4	20	G 1/8	6.5	8.20	HM 46T	HMV 46E	KM 40+MB 40
AOH24048	220	240	138	153	Tr250×4	20	G 1/8	6.5	8.05	HM 50T	HMV 50E	HM 3044+MS 3044
AOH24052G	240	260	162	178	Tr280×4	22	G 1/8	6.5	12.5	HM 3056	HMV 56E	HM 3048+MS 3052-48
AOH24056G	260	280	162	179	Tr300×4	24	G 1/8	6.5	13.5	HM 3160	HMV 60E	HM 3052+MS 3052-48
AOH24060G	280	300	184	202	Tr320×5	24	G 1/8	6.5	17.0	HM 3164	HMV 64E	HM 3056+MS 3056
AOH24064G	300	320	184	202	Tr340×5	24	G 1/8	6.5	18.0	HM 3168	HMV 68E	HM 3060+MS 3060
AOH24068	320	340	206	225	Tr360×5	26	G 1/8	9	21.5	HM 3172	HMV 72E	KM 3064+MS 3068-64
AOH24072	340	360	206	226	Tr380×5	26	G 1/8	9	23.0	HM 3176	HMV 76E	HM 3068+MS 3068-64
AOH24076	360	380	208	228	Tr400×5	28	G 1/8	9	25.0	HM 3180	HMV 80E	HM 3072+MS 3072
AOH24080	380	400	228	248	Tr420×5	28	G 1/8	9	27.0	HM 3184	HMV 84E	HM 3076+MS 3080-76
AOH24084	400	420	230	252	Tr440×5	30	G 1/8	9	29.0	HM 3188	HMV 88E	HM 3080+MS 3080-76
AOH24088	420	440	242	264	Tr460×5	30	G 1/8	9	34.0	HM 3192	HMV 92E	HM 3084+MS 3084
AOH24092	440	460	250	273	Tr480×5	32	G 1/8	9	34.7	HM 3196	HMV 96E	HM 3088+MS 3092-88
AOH24096	460	480	250	273	Tr500×5	32	G 1/8	9	36.5	HM 31/500	HMV 100E	HM 3092+MS 3092-88
AOH240/500	480	500	253	276	Tr530×6	35	G 1/8	9	43.0	HM 31/530	HMV 106E	HM 3096+MS 30/500-96
AOH240/530G	500	530	285	309	Tr560×6	35	G 1/8	9	64.5	HM 31/560	HMV 112E	HM 30/500+MS 30/500-96
AOH240/560G	530	560	296	320	Tr600×6	38	G 1/8	9	70.0	HM 31/600	HMV 120E	HM 30/530+MS 30/600-530
AOH240/600	570	600	310	336	Tr630×6	40	G 1/8	9	108	HM 31/630	HMV 126E	HM 30/560+MS 30/560
AOH240/630G	600	630	330	356	Tr670×6	40	G 1/8	9	101	HM 31/670	HMV 134E	HM 30/600+MS 30/600-530
AOH240/670G	630	670	348	374	Tr710×7	40	G 1/8	12	140	HM 31/710	HMV 142E	HM 30/630+MS 30/630
AOH240/710G	670	710	360	386	Tr750×7	45	G 1/8	12	155	HM 31/750	HMV 150E	HM 30/670+MS 30/670
AOH240/750G	710	750	380	409	Tr800×7	45	G 1/8	12	178	HM 31/800	HMV 160E	HM 30/710+MS 30/710
AOH240/800G	750	800	395	423	Tr850×7	50	G 1/8	15	237	HM 31/850	HMV 170E	HM 30/750+MS 30/800-750
AOH240/850G	800	850	415	445	Tr900×7	50	G 1/8	15	265	HM 31/900	HMV 180E	HM 30/800+MS 30/800-750
AOH240/900	850	900	430	475	Tr950×8	55	G 1/8	15	296	HM 31/950	HMV 190E	HM 30/850+MS 30/900-850
AOH240/950	900	950	467	512	Tr1000×8	55	G 1/8	15	340	HM 31/1000	HMV 200E	HM 30/900+MS 30/900-850
AOH240/1000	950	1000	469	519	Tr1060×8	57	G 1/8	15	369	HM 31/1060	HMV 212E	HM 30/950+MS 30/950
AOH240/1060	1000	1060	498	548	Tr1120×8	60	G 1/8	15	476	HM 31/1120	HMV 224E	HM 30/1000+MS 30/1000