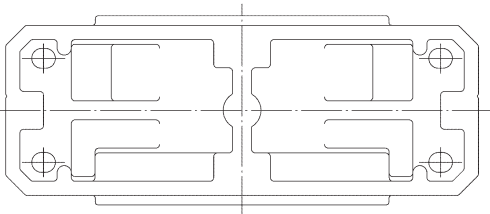
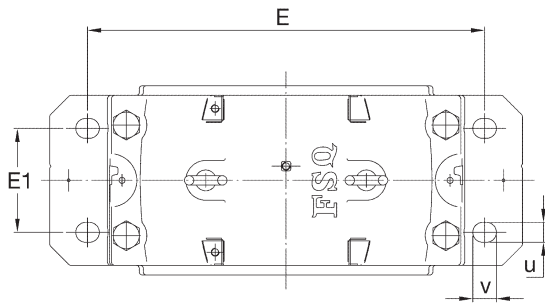
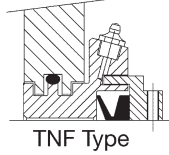
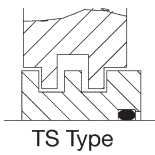
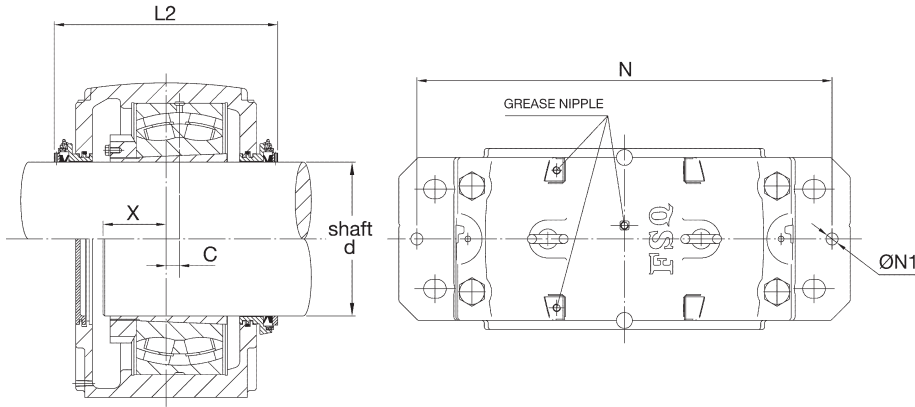


Labyrinth Seals TS design
Standard on SNK Housings



For SNK3184 to SNK3196 inclusive.
Please consult FSQ.

Housing No.	Shaft Dia.							
	d	D H7	d1 H12	d2 H12	d3 H12	A h13	B	F
SNK3134	150	280	171.2	186.4	195.2	170	510	108
SNK3136	160	300	181.2	196.4	205.2	180	530	116
SNK3138	170	320	191.4	206.4	215.4	190	560	124
SNK3140	180	340	201.4	216.4	225.4	210	610	132
SNK3144	200	370	221.4	236.4	245.4	220	640	140
SNK3148	220	400	241.4	256.4	265.4	240	700	148
SNK3152	240	440	261.6	276.6	285.6	260	770	164
SNK3156	260	460	281.6	296.6	305.6	280	790	166
SNK3160	280	500	301.6	316.8	325.6	300	830	180
SNK3164	300	540	321.8	336.8	345.8	320	880	196
SNK3168	320	580	342.4	357.4	366.4	340	950	210
SNK3172	340	600	362.4	377.4	386.4	350	1000	212
SNK3176	360	620	382.4	397.4	406.4	360	1040	214
SNK3180	380	650	402.8	417.8	426.8	380	1120	220



Taconite Seals TNF design
Optional on SNK Housings

Dowel pins (OPTIONAL)
SNK3100 housings are designed for loads acting vertically to the housing base support. If they are to be subjected to moderate or heavy loads acting parallel to the base support, a stop should be provided, or the housing should be pinned to its support. Recommendations for the position and size of holes to take dowel pins are given in table.

Dimensions mm													Optional	Bolt	Spherical	Adapter	Labyrinth Seal	Taconite Seal	End Cover	Weight	Locating Ring			
E	E1	u	v	b	G	H	L	L1	L2	C	X	N	N1	S	Dowel pins	Dia.					Roller Bearing	Sleeve	Metric	kg
430	100	28	34	180	70	333	230	240	300	14	78	470	20	24			23134K	H3134	TS3134	TNF34	ETS3134	73.5	280x10	2
450	110	28	34	190	75	353	240	250	315	15	83	490	20	24			23136K	H3136	TS3136	TNF36	ETS3136	83.4	300x10	2
480	120	28	34	210	80	375	260	270	335	10	88	520	20	24			23138K	H3138	TS3138	TNF38	ETS3138	103.2	320x10	2
510	130	35	42	230	85	411	280	290	355	10	93	560	20	30			23140K	H3140	TS3140	TNF40	ETS3140	130	340x10	2
540	140	35	42	240	90	434	290	300	365	12	100	590	20	30			23144K	H3144	TS3144	TNF44	ETS3144	140	370x10	2
600	150	35	42	260	95	474	310	315	400	12	106	650	20	30			23148K	H3148	TS3148	TNF48	ETS3148	206	400x10	2
650	160	42	50	280	100	516	320	330	415	13	116	720	20	36			23152K	H3152	TS3152	TNF52	ETS3152	232	440x10	2
670	160	42	50	280	105	551	320	330	415	16	119	740	20	36			23156K	H3156	TS3156	TNF56	ETS3156	260	460x10	2
710	190	42	50	310	110	591	350	360	445	22	138	770	25	36			23160K	H3160	TS3160	TNF60	ETS3160	308	500x10	2
750	200	42	50	330	115	631	370	380	462	23	149	830	25	36			23164K	H3164	TS3164	TNF64	ETS3164	346	540x10	2
810	220	42	50	360	120	675	400	410	492	24	172	880	25	36			23168K	H3168	TS3168	TNF68	ETS3168	429.5	-	-
840	220	42	50	360	120	695	400	410	492	30	176	920	30	36			23172K	H3172	TS3172	TNF72	ETS3172	454	-	-
870	220	42	50	360	120	715	400	410	492	30	179	960	30	36			23176K	H3176	TS3176	TNF76	ETS3176	487	-	-
950	240	48	60	390	125	775	430	440	522	30	187	1020	35	42			23180K	H3180	TS3180	TNF80	ETS3180	595	-	-