

Stainless Steel Square Flange Units

Set Screw Locking

Material

Housing : SUS 440C Stainless

Bearing Inserts

Inner & Outer Rings : 440C

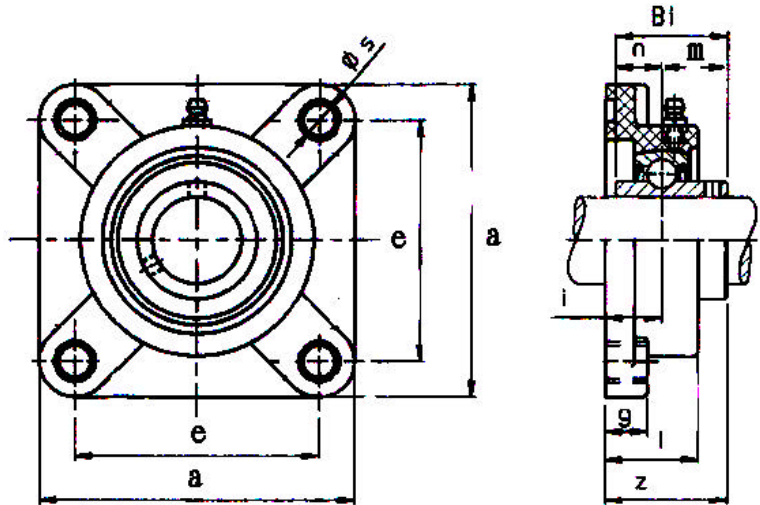
Retainer : 410C

Steel Balls : 440C

Oil Seals : 410C

Set Screw : 440C

Steel Plate Slinger : 410C



Unit No.	Shaft Dia.		Dimensions (mm/inch)										Bearing No.	Housing No.
	mm	inch	a	e	i	g	l	s	z	Bi	n	m		
SUCF 204	20		86	64	15.1	12	25.4	11	33.3	31	12.7	18.3	SUC204	SF204
SUCF 204-12		3/4	3.41	2.53	0.59	0.47	1.00	0.43	1.31	1.22	0.50	0.72	SUC204-12	SF204
SUCF 205	25		95	70	15.9	14	27	11.5	35.8	34.1	14.3	19.8	SUC205	SF205
SUCF 205-16		1	3.73	2.75	0.63	0.55	1.06	0.45	1.41	1.34	0.56	0.78	SUC205-16	SF205
SUCF 206	30		108	83	17.9	14	30	13.1	40.2	38.1	15.9	22.2	SUC206	SF206
SUCF 206-18		1-1/8	4.25	3.11	0.70	0.55	1.22	0.47	1.59	1.50	0.63	0.87	SUC206-18	SF206
SUCF 207	35		117	92	19.1	14.3	33	13.1	44.4	42.9	17.5	25.4	SUC207	SF207
SUCF 207-20		1-1/4	4.59	3.61	0.75	0.63	1.34	0.47	1.75	1.69	0.69	1.00	SUC207-20	SF207
SUCF 207-22		1-3/8	4.59	3.61	0.75	0.63	1.34	0.47	1.75	1.69	0.69	1.00	SUC207-22	SF207
SUCF 208	40		130	102	21	14.3	36	14	51.2	49.2	19.0	30.2	SUC208	SF208
SUCF 208-24		1-1/2	5.11	4.02	0.83	0.63	1.42	0.55	2.03	1.94	0.75	1.19	SUC208-24	SF208
SUCF 209	45		137	105	21.8	14.3	37	16	52.2	49.2	19.0	30.2	SUC209	SF209
SUCF 210	50		143	111	21.8	15.1	38	16	54.6	51.6	19.0	32.6	SUC210	SF210

Note: Other sizes are also available. Please contact with fsqsales@fairfriend.com.tw