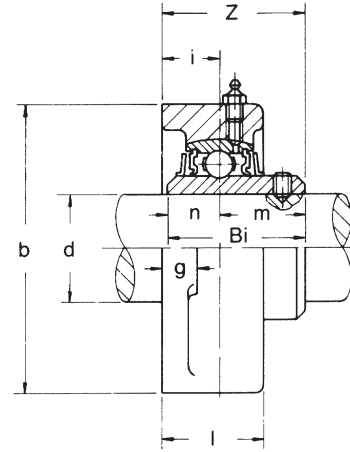
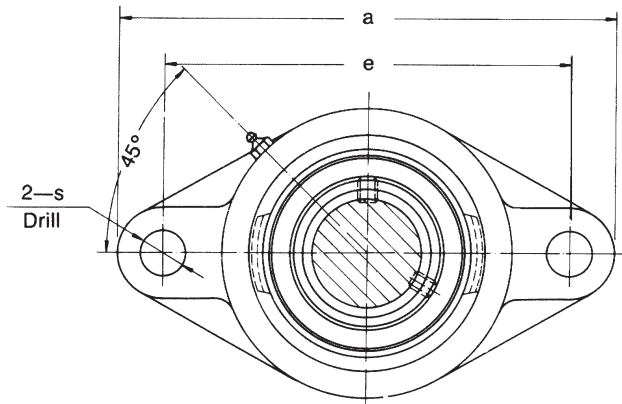


Set Screw Type - Normal Duty



Unit No.	Shaft Dia.		Dimensions (in./mm)											Bolt Used		Bearing No.	Housing No.	Weight			
	d		a	e	i	g	l	s	b	Z	Bi	n	m	(mm)	(in.)			kg	lbs		
	(in.)	(mm)																			
UCFL 201		12																			
201-8	1/2	15																			
202		17	4-7/16	3-35/64	19/32	7/16	1	15/32	2-3/8	1-5/16	1.2205	0.5000	0.7205	10	3/8						
202-10	5/8	113	90	15	11	25.5	12	60	33.3	31.0	12.7	18.3									
203		20																			
204-12	3/4																				
204																					
UCFL 205-14	7/8		5-1/8	3-57/64	5/8	1/2	1-1/16	5/8	2-11/16	1-13/32	1.3386	0.5630	0.7756	14	1/2						
205-15	15/16	130	99	16	13	27	16	68	35.7	34.0	14.3	19.7									
205		25																			
205-16	1																				
UCFL 206-18	1-1/8		5-13/16	4-39/64	45/64	1/2	1-7/32	5/8	3-5/32	1-19/32	1.5000	0.6260	0.8740	14	1/2						
206		30	148	117	18	13	31	16	80	40.2	38.1	15.9	22.2								
206-19	1-3/16																				
UCFL 207-20	1-1/4																				
207-21	1-5/16																				
207-22	1-3/8		6-11/32	5-1/8	3/4	9/16	1-11/32	5/8	3-17/32	1-3/4	1.6890	0.6890	1.0000	14	1/2						
207		35	161	130	19	14	34	16	90	44.4	42.9	17.5	25.4								
207-23	1-7/16																				
UCFL 208-24	1-1/2		6-7/8	5-43/64	53/64	9/16	1-13/32	5/8	3-15/16	2	1.9370	0.7480	1.1890	14	1/2						
208-25	1-9/16		175	144	21	14	36	16	100	51.2	49.2	19.0	30.2								
208		40																			
UCFL 209-26	1-5/8																				
209-27	1-11/16		7-13/32	5-53/64	55/64	19/32	1-1/2	3/4	4-1/14	2-1/16	1.9370	0.7480	1.1890	14	5/8						
209-28			188	148	22	15	38	19	108	52.2	49.2	19.0	30.2								
209		45																			
UCFL 210-30	1-7/8		7-3/4	6-3/16	55/64	19/32	1-9/16	3/4	4-17/32	2-5/32	2.0315	0.7480	1.2835	16	5/8						
210-31	1-15/16		197	157	22	15	40	19	115	54.6	51.6	19.0	32.6								
210		50																			
UCFL 211-32	2																				
211-34	2-1/8		8-13/16	7-1/4	63/64	23/32	1-11/16	3/4	5-1/8	2-5/16	2.1890	0.8740	1.3150	16	5/8						
211		55	224	184	25	18	43	19	130	58.4	55.6	22.2	33.4								
211-35	2-3/16																				
UCFL 212-36	2-1/4																				
212		60	9-27/32	7-61/64	1-9/64	23/32	1-7/8	29/32	5-1/2	2-23/32	2.5630	1.0000	1.5630	20	3/4						
212-38	2-3/8		250	202	29	18	48	23	140	68.7	65.1	25.4	39.7								
212-39	2-7/16																				
UCFL 213-40	2-1/2		10-5/32	8-17/64	1-3/16	25/32	1-31/32	29/32	6-3/32	2-3/4	2.5630	1.0000	1.5630	20	3/4						
213		65	258	210	30	20	50	23	155	69.7	65.1	25.4	39.7								

Dimensions listed is for reference only