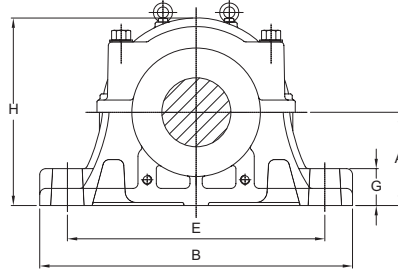
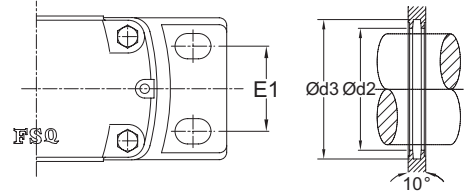


SAF230K



SDAF230K

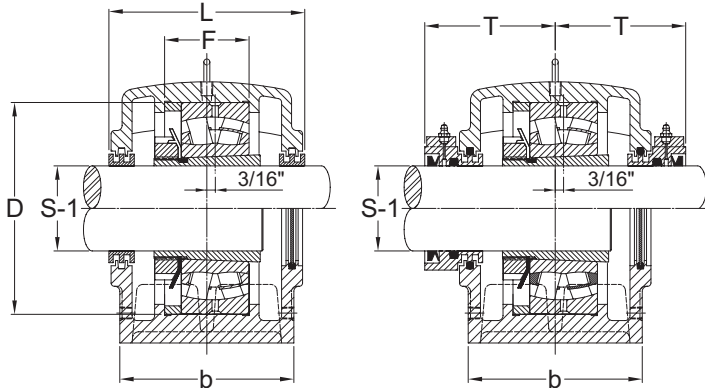


SERIES SAF 230K - HOUSING DIMENSIONS

Housing No. * § †	A h13	B	b	G	E		E1	H	L	T	Bolts (No. Req'd)	Wt. in lbs. *	D H7	F	d2 (H12)	d3 (h12)
	in.	in.	in.	in.	Max. in.	Min. in.	in.	in.	in.	in.			mm	mm	mm	mm
SAF 024 K/4-3/16	4-1/2	15-1/4	4-3/8	1-3/4	13-1/8	11-5/8	2-3/8	8-3/4	6	4-7/16	(4)-3/4	47.5	180	65.6	113.8	132.84
SAF 026 K/4-7/16	4-15/16	16-1-2	4-3/4	2	14-1/2	12-5/8	2-3/4	9-5/8	6-1/2	4-19/32	(4)-3/4	56.0	200	71.6	121.74	140.8
SAF 028 K/4-15/16	5-1/4	16-1/2	4-3/4	2-1/8	14-1/2	13-1/4	2-3/4	10-1/4	7-3/8	5-11/32	(4)-3/4	68.7	210	72.6	132.84	151.9
SAF 030 K/5-3/16	6	18-3/8	5-1/8	2-3/8	16	14-5/8	3-1/4	11-9/16	8	5-11/32	(4)-7/8	106.9	225	75.6	142.88	161.93
SAF 032 K/5-7/16	6	18-3/8	5-1/8	2-3/8	16	14-5/8	3-1/4	11-9/16	8	5-13/32	(4)-7/8	125.4	240	79.6	146.05	171.45
SAF 034 K/5-15/16	6	20-1/8	5-7/8	2-3/8	17-1/8	16	3-3/8	11-3/4	7-5/8	5-5/32	(4)-1	119.9	260	86.6	161.12	186.52
SAF 036 K/6-7/16	6-11/16	22	6-1/4	2-5/8	19-1/4	17-3/8	3-3/4	13-1/2	8-3/4	5-23/32	(4)-1	171.6	280	93.6	172.2	197.6
SAF 038 K/6-15/16	7-11/16	22	6-1/4	2-5/8	19-1/4	17-3/8	3-3/4	13-1/2	8-3/4	5-23/32	(4)-1	167.3	290	94.6	187.54	212.94
SAF 040 K/7-3/16	7-1/16	24-3/4	6-3/4	2-3/4	21-5/8	19-3/8	4-1/4	14-3/8	9-5/8	6-7/32	(4)-1	192.9	310	101.6	192.28	217.68
SAF 044 K/7-15/16	7-7/8	28	7-1/2	3-1/8	24-3/8	21-5/8	4-1/2	15-7/8	10-5/8	6-23/32	(4)-1 1/4	304.4	340	109.6	211.84	237.24
SAF 048 K/8-7/16	8-1/4	29-1/2	8	3-3/8	25	22-1/2	5	16-1/2	11-1/4	7-11/16	(4)-1 1/4	270	360	111.6	258.71	284.11
SAF 048 K/8-1/2	8-1/4	29-1/2	8	3-3/8	25	22-1/2	5	16-1/2	11-1/4	7-11/16	(4)-1 1/4	270	360	111.6	258.71	284.11
SAF 048 K/8-15/16	8-1/4	29-1/2	8	3-3/8	25	22-1/2	5	16-1/2	11-1/4	7-11/16	(4)-1 1/4	270	360	111.6	258.71	284.11
SAF 048 K/9	8-1/4	29-1/2	8	3-3/8	25	22-1/2	5	16-1/2	11-1/4	7-11/16	(4)-1 1/4	270	360	111.6	258.71	284.11
SAF 052 K/9-7/16	8-1/2	32-3/4	8-3/4	3-3/4	27-7/8	24-3/4	5-1/4	18-5/8	12	8-1/16	(4)-1 1/2	450.4	400	123.6	254.7	280.1
SAF 052 K/9-1/2	8-1/2	32-3/4	8-3/4	3-3/4	27-7/8	24-3/4	5-1/4	18-5/8	12	8-1/16	(4)-1 1/2	450.4	400	123.6	254.7	280.1
SAF 056 K/9-15/16	9-7/8	34-1/4	9	4	29-1/2	26-1/4	5-1/2	20-3/16	12-1/4	8-1/8	(4)-1 1/2	507	420	125.6	280.7	306.1
SAF 056 K/10	9-7/8	34-1/4	9	4	29-1/2	26-1/4	5-1/2	20-3/16	12-1/4	8-1/8	(4)-1 1/2	507	420	125.6	280.7	306.1
SAF 056 K/10-7/16	9-7/8	34-1/4	9	4	29-1/2	26-1/4	5-1/2	20-3/16	12-1/4	8-1/8	(4)-1 1/2	507	420	125.6	280.7	306.1
SAF 056 K/10-1/2	9-7/8	34-1/4	9	4	29-1/2	26-1/4	5-1/2	20-3/16	12-1/4	8-1/8	(4)-1 1/2	507	420	125.6	280.7	306.1

SERIES SDAF 230K - HOUSING DIMENSIONS

Housing No. * § †	A h13	B	b	G	E		E1	H	L	T	Bolts (No. Req'd)	Wt. in lbs. *	D H7	F	d2 (H12)	d3 (h12)
	in.	in.	in.	in.	Max. in.	Min. in.	in.	in.	in.	in.			mm	mm	mm	mm
SDAF 060K/10-15/16	12	38-1/4	14-3/4	3-3/8	33-1/2	32-3/4	9	23-7/16	14-1/2	9-3/16	(4)-1 5/8	876.9	460	127.8	291.92	325.35
SDAF 060K/11	12	38-1/4	14-3/4	3-3/8	33-1/2	32-3/4	9	23-7/16	14-1/2	9-3/16	(4)-1 5/8	876.9	460	127.8	291.92	325.35
SDAF 064K/11-7/16	12	38-1/4	14-3/4	3-3/8	33-1/2	32-3/4	9	23-7/16	15-1/2	9-11/16	(4)-1 5/8	880.0	460	130.8	319.02	352.45
SDAF 064K/11-1/2	12	38-1/4	14-3/4	3-3/8	33-1/2	32-3/4	9	23-7/16	15-1/2	9-11/16	(4)-1 5/8	880.0	480	130.8	319.02	325.45
SDAF 064K/11-15/16	12	38-1/4	14-3/4	3-3/8	33-1/2	32-3/4	9	23-7/16	15-1/2	9-11/16	(4)-1 7/8	880.0	480	130.8	319.02	325.45
SDAF 064K/12	12	38-1/4	14-3/4	3-3/8	33-1/2	32-3/4	9	23-7/16	15-1/2	9-11/16	(4)-1 5/8	880.0	480	130.8	319.02	325.45
SDAF 068K/12-7/16	12	39	15-3/4	4-3/16	33-1/2	32	10	24	15-3/4	9-13/16	(4)-1 7/8	1100	520	142.8	357.63	394.69
SDAF 068K/12-1/2	12	39	15-3/4	4-3/16	33-1/2	32	10	24	15-3/4	9-13/16	(4)-1 7/8	1100	520	142.8	357.63	394.69
SDAF 072K/12-15/16	12-13/16	41-3/4	15-3/4	4-1/2	36-1/2	35	10-1/2	25-3/4	16-1/4	10	(4)-1 7/8	1172	540	143.8	357.63	394.69
SDAF 072K/13	12-13/16	41-3/4	15-3/4	4-1/2	36-1/2	35	10-1/2	25-3/4	16-1/4	10	(4)-1 7/8	1172	540	143.8	357.63	394.69
SDAF 072K/13-7/16	12-13/16	41-3/4	15-3/4	4-1/2	36-1/2	35	10-1/2	25-3/4	16-1/4	10	(4)-1 7/8	1172	540	143.8	357.63	394.69
SDAF 072K/13-1/2	12-13/16	41-3/4	15-3/4	4-1/2	36-1/2	35	10-1/2	25-3/4	16-1/4	10	(4)-1 7/8	1172	540	143.8	357.63	394.69
SDAF 076K/13-15/16	12-13/16	41-3/4	15-3/4	4-1/2	36-1/2	35	10-1/2	25-3/4	16-1/4	10	(4)-1 7/8	1148	560	144.8	373.88	414.52
SDAF 076K/14	12-13/16	41-3/4	15-3/4	4-1/2	36-1/2	35	10-1/2	25-3/4	16-1/4	10	(4)-1 7/8	1148	560	144.8	373.88	414.52



TACONITE SEAL OPTION

NOTES:

- * Basic housing does not include bearing and accessories. The weight is subject to change.
- § For float unit application, order 1-housing, 2-labyrinth seals, 1-adapter sleeve.
For fixed unit application, add 1-stabilizing ring to the above.
- † Other shaft size are also available.

SERIES SAF 230K-PILLOW BLOCK PART NUMBERS

Shaft Dia. S-1 in.	Complete Pillow Block Number	Pillow block Housing Only	Bearing Number	Adapter Sleeve	Labyrinth Seal Ring (2 Req'd)	Stabilizing Ring (2 Req'd)	End Plug (EPR)
4-3/16	SAF 23024 K/4-3/16	SAF 024 K/4-3/16	23024 K	SNW 3024/4-3/16	LER 113	SR-20-17	14
4-7/16	SAF 23026 K/4-7/16	SAF 026 K/4-7/16	23026 K	SNW 3026/4-7/16	LER 117	SR-22-19	15
4-15/16	SAF 23028 K/4-15/16	SAF 028 K/4-15/16	23028 K	SNW 3028/4-15/16	LER 122	SR- 0-20	27
5-3/16	SAF 23030 K/5-3/16	SAF 030 K/5-3/16	23030 K	SNW 3030/5-3/16	LER 125	SR- 0-21	16
5-7/16	SAF 23032 K/5-7/16	SAF 032 K/5-7/16	23032 K	SNW 3032/5-7/16	LER 130	SR- 0-22	16
5-15/16	SAF 23034 K/5-15/16	SAF 034 K/5-15/16	23034 K	SNW 3034/5-15/16	LER 140	SR- 0-24	18
6-7/16	SAF 23036 K/6-7/16	SAF 036 K/6-7/16	23036 K	SNW 3036/6-7/16	LER 148	SR- 0-26	19
6-15/16	SAF 23038 K/6-15/16	SAF 038 K/6-15/16	23038 K	SNW 3038/6-15/16	LER 155	SR-32- 0	20
7-3/16	SAF 23040 K/7-3/16	SAF 040 K/7-3/16	23040 K	SNW 3040/7-3/16	LER 159	SR-34- 0	21
7-15/16	SAF 23044 K/7-15/16	SAF 044 K/7-15/16	23044 K	SNW 3044/7-15/16	LER 167	SR-38-32	23
8-7/16	SAF 23048 K/8-7/16	SAF 048 K/8-7/16	23048 K	SNP 3048/8-7/16	LER 550	A 8897	
8-1/2	SAF 23048 K/8-1/2	SAF 048 K/8-1/2	23048 K	SNP 3048/8-1/2	LER 551	A 8897	
8-15/16	SAF 23048 K/8-15/16	SAF 048 K/8-15/16	23048 K	SNP 3048	LER 552	A 8897	
9	SAF 23048 K/9	SAF 048 K/9	23048 K	SNP 3048/9	LER 513	A 8897	
9-7/16	SAF 23052 K/9-7/16	SAF 052 K/9-7/16	23052 K	SNP 3052	LER 553	A 8898	
9-1/2	SAF 23052 K/9-1/2	SAF 052 K/9-1/2	23052 K	SNP 3052/9-1/2	LER 178	A 8898	
9-15/16	SAF 23056 K/9-15/16	SAF 056 K/9-15/16	23056 K	SNP 3056/9-15/16	ER 751	A 8819	
10	SAF 23056 K/10	SAF 056 K/10	23056 K	SNP 3056/10	ER 705	A 8819	
10-7/16	SAF 23056 K/10-7/16	SAF 056 K/10-7/16	23056 K	SNP 3056	ER 745	A 8819	
10-1/2	SAF 23056 K/10-1/2	SAF 056 K/10-1/2	23056 K	SNP 3056/10-1/2	ER 710	A 8819	

SERIES SDAF 230K-PILLOW BLOCK PART NUMBER

Shaft Dia. S-1 in.	Complete Pillow Block Number	Pillow block Housing Only	Bearing Number	Adapter Sleeve	Labyrinth Seal Ring (2 Req'd)	Stabilizing Ring (1 Req'd)
10-15/16	SDAF 23060 K/10-15/16	SDAF 060 K/10-15/16	23060 K	SNP 3060	ER 858	A 8967
11	SDAF 23060 K/11	SDAF 060 K/11	23060 K	SNP 3060/11	ER 825	A 8967
11-7/16	SDAF 23064 K/11-7/16	SDAF 064 K/11-7/16	23064 K	SNP 3064/11-7/16	ER 861	A 8968
11-1/2	SDAF 23064 K/11-1/2	SDAF 064 K/11-1/2	23064 K	SNP 3064/11-1/2	ER 832	A 8968
11-15/16	SDAF 23064 K/11-15/16	SDAF 064 K/11-15/16	23064 K	SNP 3064	ER 859	A 8968
12	SDAF 23064 K/12	SDAF 064 K/12	23064 K	SNP 3064/12	ER 818	A 8968
12-7/16	SDAF 23068 K/12-7/16	SDAF 068 K/12-7/16	23068 K	SNP 3068	ER 865	A 8969
12-1/2	SDAF 23068 K/12-1/2	SDAF 068 K/12-1/2	23068 K	SNP 3068/12-1/2	ER 866	A 8969
12-15/16	SDAF 23072 K/12-15/16	SDAF 072 K/12-15/16	23072 K	SNP 3072/12-15/16	ER 869	A 8970
13	SDAF 23072 K/13	SDAF 072 K/13	23072 K	SNP 3072/13	ER 846	A 8970
13-7/16	SDAF 23072 K/13-7/16	SDAF 072 K/13-7/16	23072 K	SNP 3072	ER 872	A 8970
13-1/2	SDAF 23072 K/13-1/2	SDAF 072 K/13-1/2	23072 K	SNP 3072/13-1/2	ER 823	A 8970
13-15/16	SDAF 23076 K/13-15/16	SDAF 076 K/13-15/16	23076 K	SNP 3076	ER 875	A 8971
14	SDAF 23076 K/14	SDAF 076 K/14	23076 K	SNP 3076/14	ER 876	A 8971