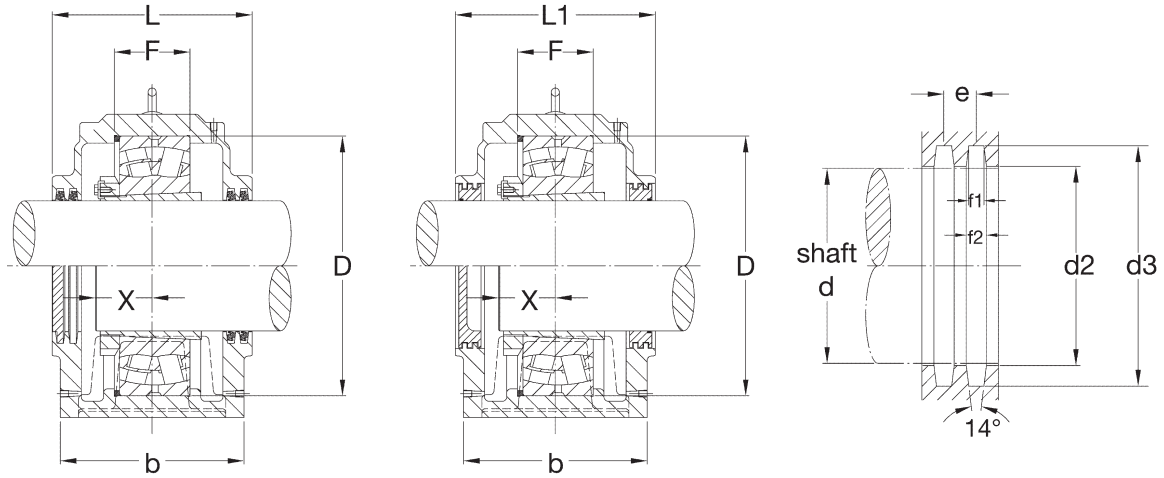


Housing No.	Dimensions mm															
	d	D H7	A h13	B	E	b	G	F H13	H	L	L1	E1	u	v	d2 H12	d3 H12
SD 534	150	310	180	620	510	230	60	96	360	270	270	140	35	52	153	183
SD 536	160	320	190	650	540	240	60	96	380	280	280	150	35	52	163	193
SD 538	170	340	200	700	570	260	65	102	400	290	290	160	35	55	173	203
SD 540	180	360	210	740	610	270	65	108	420	300	300	170	35	55	183	213
SD 544	200	400	240	820	680	300	70	118	475	330	330	190	42	62	203	240
SD 548	220	440	260	880	740	310	85	130	515	340	340	200	42	62	223	260
SD 552	240	480	280	940	790	340	85	140	560	370	370	210	42	62	243	286
SD 556	260	500	300	990	830	370	100	140	590	390	390	230	50	70	263	306
SD 560	280	540	325	1060	890	390	100	150	640	410	410	250	50	70	283	332
SD 564	300	580	355	1110	930	420	110	160	690	440	440	270	57	77	303	352

SD 634	150	360	210	740	610	270	65	130	420	300	300	170	35	55	153	183
SD 636	160	380	225	780	640	290	70	136	450	320	320	180	40	60	163	193
SD 638	170	400	240	820	680	300	70	142	475	330	330	190	40	60	173	203
SD 640	180	420	250	860	710	320	85	148	500	350	350	200	42	62	183	213
SD 644	200	460	280	920	770	330	85	155	550	360	360	210	42	62	203	240
SD 648	220	500	300	990	830	370	100	165	590	390	390	230	50	70	223	260
SD 652	240	540	325	1060	890	390	100	175	640	410	410	250	50	70	243	286
SD 656	260	580	355	1110	930	420	110	185	690	440	440	270	57	77	263	306



X	t	f1	f2	e	ZF Seal	Bolt S	WT. kg	Bearing No.	Adapter Sleeve	Locating Ring		End Cover
										Number	Q'ty	
75	M24	10	13.7	20	ZF34	M30	92	22234K	H3134	SR310x10	1	EP534
76	M24	10	13.7	20	ZF36	M30	110	22236K	H3136	SR320x10	1	EP536
80	M30	10	13.7	20	ZF38	M30	125	22238K	H3138	SR340x10	1	EP538
84	M30	10	13.7	20	ZF40	M30	150	22240K	H3140	SR360x10	1	EP540
90	M30	11	15.5	22	ZF44	M36	176	22244K	H3144	SR400x10	1	EP544
98	M36	11	15.5	22	ZF48	M36	217	22248K	H3148	SR440x10	1	EP548
105	M36	12	17.3	24	ZF52	M36	273	22252K	H3152	SR480x10	1	EP552
107	M36	12	17.3	24	ZF56	M42	325	22256K	H3156	SR500x10	1	EP556
114	M36	13	19.0	25	ZF60	M42	404	22260K	H3160	SR540x10	1	EP560
122	M42	13	19.0	25	ZF64	M48	492	22264K	H3164	SR580x10	1	EP564

92	M30	10	13.7	20	ZF34	M30	142	22334K	H2334	SR360x10	1	EP634
96	M30	10	13.7	20	ZF36	M36	161	22336K	H2336	SR380x10	1	EP636
100	M30	10	13.7	20	ZF38	M36	177	22338K	H2338	SR400x10	1	EP638
104	M36	10	13.7	20	ZF40	M36	210	22340K	H2340	SR420x10	1	EP640
109	M36	11	15.5	22	ZF44	M36	270	22344K	H2344	SR460x10	1	EP644
116	M36	11	15.5	22	ZF48	M42	336	22348K	H2348	SR500x10	1	EP648
123	M36	12	17.3	24	ZF52	M42	418	22352K	H2352	SR540x10	1	EP652
130	M42	12	17.3	24	ZF56	M48	509	22356K	H2356	SR580x10	1	EP656