

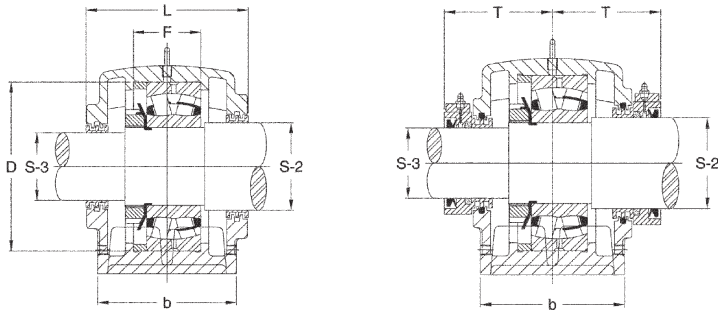
SERIES SDAF 200-HOUSING DIMENSIONS

Housing No. * § †	A h13	B	b	G	E		E1	H	L	T	Bolts (No. Req'd)	Wt. in lbs. *	D H7 mm	F mm
	in.	in.	in.	in.	Max. in.	Min. in.	in.	in.	in.	in.				
SDAF 220	4-1/2	15-1/4	6	1-7/8	13-1/8	11-5/8	3-3/8	8-15/16	6-3/4	4-11/16	(4)-3/4	64.8	180	55.8
SDAF 222	4-15/16	16-1-2	6-3/4	2-1/8	14-1/2	12-5/8	4	9-7/8	7-1/4	4-7/8	(4)-7/8	100.0	200	62.8
SDAF 224	5-1/4	16-1/2	6-7/8	2-1/4	14-1/2	13-1/4	4-1/8	10-1/2	7-3/8	4-15/16	(4)-7/8	106.7	215	67.8
SDAF 226	6	18-3/8	7-1/2	2-3/8	16	14-5/8	4-12	11-7/8	8	5-1/4	(4)-1	147.2	230	73.8
SDAF 228	6	20-1/8	7-1/2	2-3/8	17-1/8	16	4-1/2	12-1/6	7-15/16	5-5/16	(4)-1 1/8	141.7	250	77.8
SDAF 230	6-5/16	21-1/4	7-7/8	2-1/2	18-1/4	17	4-3/4	12-13/16	8-3/8	5-7/16	(4)-1 1/8	157.1	270	82.8
SDAF 232	6-11/16	22	8-1/4	2-1/2	19-1/4	17-3/8	5	13-11/16	8-3/4	5-5/8	(4)-1 1/8	187.1	290	89.8
SDAF 234	7-11/16	24-3/4	9	2-1/2	21-5/8	19-3/8	5-1/2	14-1/4	9-5/8	6-1/16	(4)-1 1/4	212.3	310	95.8
SDAF 236	7-1/2	26-3/4	9-3/8	2-3/4	23-5/8	20-7/8	5-7/8	15-3/16	10	6-1/8	(4)-1 1/4	275.5	320	95.8
SDAF 238	7-7/8	27-5/8	10	3	23-1/2	21-1/2	6-1/4	16-1/4	10-5/8	7-1/4	(4)-1 3/8	338.4	340	101.8
SDAF 240	8-1/4	28-3/4	10-1/2	3-1/4	25	23	6-3/4	17-1/8	11-1/8	7-1/2	(4)-1 3/8	343.7	360	107.8
SDAF 244	9-1/2	32	11-1/4	3-1/2	27-7/8	25-5/8	7-1/4	19-1/4	11-7/8	7-7/8	(4)-1 1/2	520.2	400	117.8

SERIES SDAF 300-HOUSING DIMENSIONS

Housing No. * § †	A h13	B	b	G	E		E1	H	L	T	Bolts (No. Req'd)	Wt. in lbs. *	D H7 mm	F mm
	in.	in.	in.	in.	Max. in.	Min. in.	in.	in.	in.	in.				
SDAF316	4-1/4	14-1/4	5-1/2	1-3/4	12-5/8	10-5/8	3-1/4	8-1/4	6-3/8	4-1/2	(4)-5/8	53.4	170	67.8
SDAF317	4-1/2	15-1/4	6	1-7/8	13-1/8	11-5/8	3-3/8	8-15/16	6-3/4	4-3/4	(4)-3/4	67.2	180	69.8
SDAF318	5-3/4	15-1/2	6-1/8	2	13-1/2	12	3-5/8	9-7/16	6-7/8	4-13/16	(4)-3/4	72.0	190	73.8
SDAF320	5-1/4	16-1/2	6-7/8	2-1/4	14-1/2	13-1/4	4-1/8	10-12	7-3/8	5	(4)-7/8	105.8	215	82.8
SDAF322	6	18-3/8	7-1/2	2-3/8	16	14-5/8	4-1/2	11-7/8	8	5-1/4	(4)-1	148.8	240	89.8
SDAF324	6-5/16	21-1/4	7-7/8	2-1/2	18-1/4	17	4-3/4	12-13/16	8-3/8	5-7/16	(4)-1 1/8	171.9	260	95.8
SDAF326	6-11/16	22	8-1/4	2-1/2	19-1/4	17-3/8	5	13-11/16	8-3/4	5-5/8	(4)-1 1/8	195.1	280	102.8
SDAF328	7-1/16	24-3/4	9	2-1/2	21-5/8	19-3/8	5-1/2	14-1/4	9-3/8	5-15/16	(4)-1 1/4	228.3	300	111.8
SDAF330	7-1/2	26-3/4	9-3/8	2-3/4	23-5/8	20-7/8	5-7/8	15-3/16	9-3/4	6-1/8	(4)-1 1/4	302.0	320	117.8
SDAF332	7-7/8	27-5/8	10	3	23-1/2	21-1/2	6-1/4	16-1/4	10-5/8	6-1/2	(4)-1 3/8	355.1	340	123.8
SDAF334	8-1/4	28-3/4	10-1/2	3-1/4	25	23	6-3/4	17-1/8	11-1/8	6-7/8	(4)-1 3/8	379.8	360	129.8
SDAF336	8-7/8	30-1/2	10-3/4	3-1/4	26-3/8	24-1/8	6-7/8	17-15/16	11-3/8	6-7/8	(4)-1 1/2	404.7	380	135.8
SDAF338	9-1/2	32	11-1/4	3-1/2	27-7/8	25-5/8	7-1/4	19-1/4	11-7/8	7-7/8	(4)-1 1/2	522.0	400	141.8
SDAF340	9-7/8	33-1/2	11-3/4	3-1/2	29-1/4	26-5/8	7-5/8	19-15/16	12-3/8	8-1/8	(4)-1 5/8	564.1	420	147.8

Notes: For stepped shaft bore, use SDAFZ2XX & SDAFZ3XX
 For same shaft bore, use SDAF2XX & SDAF3XX



TACONITE Seal OPTION

NOTES:

★ Basic housing does not include bearing and accessories. The weight is subject to change.

§ For float unit application, order 1-housing, 1-locknut, 1-lockwasher and 2-labyrinth seals. For fixed unit application, add 1-stabilizing ring to the above.

† All end plugs are for S-3 shaft.

SERIES SDAF222-PILLOW BLOCK PART NUMBERS

Shaft Dia.						Complete Pillow Block Number	Pillow Block Housing only	Bearing Number	Lock nut	Lock-washer	Lab. Seal Ring		Stabilizing Ring (1 required)	End Plug (EPR)†
S-2 in.	d2(H12) mm	d3(H12) mm	S-3 in.	d2(H12) mm	d3(H12) mm						S-2 Shaft (1 required)	S-3 Shaft (1 required)		
4 1/2	132.84	151.88	3 13/16	102.18	121.23	SDAF 22220	SDAF 220	22220	N 20	W 20	LER 205	LER 87	SR-20-17	12
4 7/8	132.84	151.88	4 3/16	113.8	132.84	SDAF 22222	SDAF 222	22222	N 22	W 22	LER 121	LER 113	SR-22-19	14
5 5/16	142.88	161.93	4 9/16	121.74	140.8	SDAF 22224	SDAF 224	22224	N 24	W 24	LER 127	LER 119	SR-24-20	15
5 7/8	157.18	176.23	4 15/16	132.84	151.9	SDAF 22226	SDAF 226	22226	N 26	W 26	LER 136	LER 122	SR-26- 0	27
6 1/4	167.46	186.51	5 5/16	142.88	161.93	SDAF 22228	SDAF 228	22228	N 28	W 28	LER 144	LER 127	SR-28- 0	16
6 5/8	176.99	196.04	5 3/4	157.18	176.23	SDAF 22230	SDAF 230	22230	N 30	W 30	LER 151	LER 134	SR-30- 0	17
7	187.53	212.93	6 1/16	161.11	186.51	SDAF 22232	SDAF 232	22232	N 32	W 32	LER 156	LER 142	SR-32- 0	18
7 7/16	201.8	222.7	6 7/16	172.21	197.61	SDAF 22234	SDAF 234	22234	N 34	W 34	LER 161	LER 148	SR-34- 0	19
7 13/16	211.84	237.24	6 7/8	187.53	212.92	SDAF 22236	SDAF 236	22236	N 36	W 36	LER 165	LER 154	SR-36-30	20
8 3/8	228.6	251.22	7 1/4	196.8	219.42	SDAF 22238	SDAF 238	22238	N 38	W 38	LER 240	LER 229	SR-38-32	22
8 3/4	238.12	260.74	7 5/8	209.1	231.72	SDAF 22240	SDAF 240	22240	N 40	W 40	LER 244	LER 233	SR-40-34	23
9 9/16	258.76	281.28	8 5/16	228.6	251.22	SDAF 22244	SDAF 244	22244	N 44	W 44	LER 248	LER 239	SR-44-38	25

SERIES SDAF223-PILLOW BLOCK PART NUMBERS

Shaft Dia.						Complete Pillow Block Number	Pillow Block Housing only	Bearing Number	Lock nut	Lock-washer	Lab. Seal Ring		Stabilizing Ring (1 required)	End Plug (EPR)†
S-2 in.	d2(H12) mm	d3(H12) mm	S-3 in.	d2(H12) mm	d3(H12) mm						S-2 Shaft (1 required)	S-3 Shaft (1 required)		
3 5/8	102.18	121.23	3	81.03	100.08	SDAF 22316	SDAF 316	22316	N 16	W 16	LER 84	LER 60	SR-19-16	10
3 15/16	110.11	129.16	3 3/16	91.06	110.11	SDAF 22317	SDAF 317	22317	N 17	W 17	LER 93	LER 69	SR-20-17	11
4 1/8	113.8	132.84	3 3/8	91.06	110.11	SDAF 22318	SDAF 318	22318	N 18	W 18	LER 96	LER 72	SR-21-18	11
4 1/2	121.74	140.78	3 13/16	102.18	121.23	SDAF 22320	SDAF 320	22320	N 20	W 20	LER 205	LER 87	SR-24-20	12
4 7/8	132.84	151.9	4 3/16	113.8	132.84	SDAF 22322	SDAF 322	22322	N 22	W 22	LER 121	LER 113	SR- 0-22	14
5 5/16	142.88	161.93	4 9/16	121.74	140.8	SDAF 22324	SDAF 324	22324	N 24	W 24	LER 127	LER 119	SR- 0-24	15
5 7/8	157.18	176.23	4 15/16	132.84	151.9	SDAF 22326	SDAF 326	22326	N 26	W 26	LER 136	LER 122	SR- 0-26	27
6 1/4	167.46	186.51	5 5/16	142.88	161.93	SDAF 22328	SDAF 328	22328	N 28	W 28	LER 144	LER 127	SR- 0-28	16
6 5/8	176.99	196.03	5 3/4	157.18	176.23	SDAF 22330	SDAF 330	22330	N 30	W 30	LER 151	LER 134	SR-36-30	17
7	188.29	210.91	6 1/16	161.3	183.92	SDAF 22332	SDAF 332	22332	N 32	W 32	LER 225	LER 217	SR-38-32	19
7 7/16	209.1	231.72	6 7/16	172.72	195.34	SDAF 22334	SDAF 334	22334	N 34	W 34	LER 230	LER 220	SR-40-34	26
7 13/16	216.81	239.43	6 7/8	188.29	210.91	SDAF 22336	SDAF 336	22336	N 36	W 36	LER 234	LER 223	SR- 0-36	21
8 3/8	228.6	251.22	7 1/4	196.8	219.42	SDAF 22338	SDAF 338	22338	N 38	W 38	LER 240	LER 229	SR-44-38	22
8 3/4	238.12	260.74	7 5/8	209.1	231.72	SDAF 22340	SDAF 340	22340	N 40	W 40	LER 244	LER 233	SR- 0-40	23