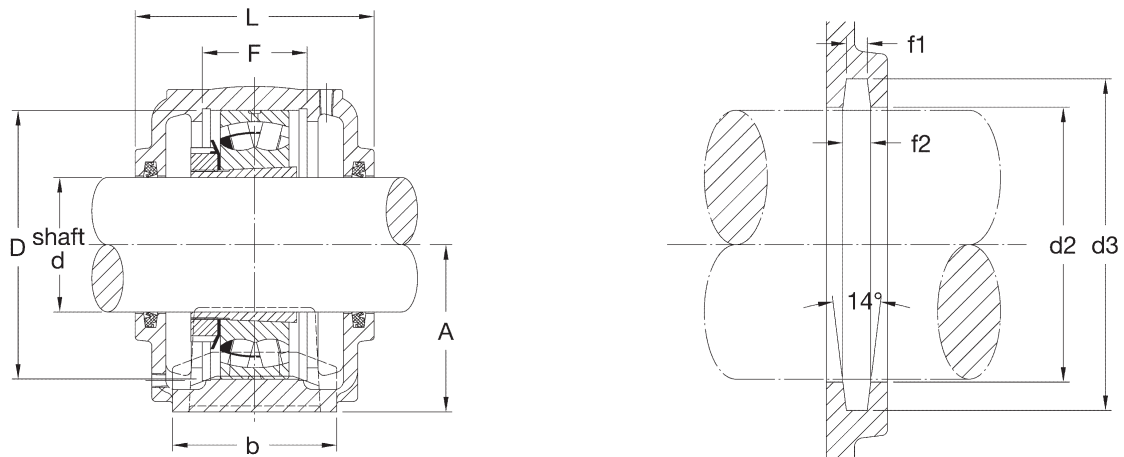


| Housing No. | Dimensions mm | | | | | | | | | | | | | | |
|-------------|---------------|------|-----|-----|----|-------|-------|-----|-----|-----|----|----|-----|--------|--------|
| | d | D H7 | B | b | G | F H13 | A h13 | L | H | E | u | v | t | d2 H12 | d3 H12 |
| SN 3024 | 110 | 180 | 380 | 110 | 40 | 56 | 112 | 150 | 217 | 320 | 26 | 35 | M20 | 113 | 135 |
| SN 3026 | 115 | 200 | 410 | 120 | 45 | 62 | 125 | 160 | 240 | 350 | 26 | 35 | M20 | 118 | 140 |
| SN 3028 | 125 | 210 | 410 | 120 | 45 | 63 | 140 | 170 | 260 | 350 | 26 | 35 | M20 | 128 | 154 |
| SN 3030 | 135 | 225 | 445 | 130 | 50 | 66 | 150 | 175 | 283 | 380 | 28 | 38 | M24 | 138 | 164 |
| SN 3032 | 140 | 240 | 460 | 130 | 50 | 70 | 150 | 190 | 290 | 390 | 28 | 38 | M24 | 143 | 173 |
| SN 3034 | 150 | 260 | 530 | 160 | 60 | 77 | 160 | 200 | 310 | 450 | 33 | 42 | M24 | 153 | 183 |
| SN 3036 | 160 | 280 | 550 | 160 | 60 | 84 | 170 | 210 | 330 | 470 | 33 | 42 | M24 | 163 | 193 |
| SN 3038 | 170 | 290 | 550 | 160 | 60 | 85 | 170 | 210 | 335 | 470 | 33 | 42 | M24 | 173 | 203 |
| SN 3040 | 180 | 310 | 610 | 170 | 60 | 92 | 180 | 235 | 355 | 515 | 33 | 42 | M24 | 183 | 213 |
| SN 3044 | 200 | 340 | 690 | 190 | 70 | 100 | 200 | 255 | 405 | 580 | 40 | 52 | M30 | 203 | 240 |

| | | | | | | | | | | | | | | | |
|---------|-----|-----|-----|-----|----|-----|-----|-----|-----|-----|----|----|-----|-----|-----|
| SN 3122 | 100 | 180 | 380 | 110 | 40 | 66 | 112 | 155 | 217 | 320 | 26 | 35 | M20 | 102 | 125 |
| SN 3124 | 110 | 200 | 410 | 120 | 45 | 72 | 125 | 165 | 240 | 350 | 26 | 35 | M20 | 113 | 135 |
| SN 3126 | 115 | 210 | 410 | 120 | 45 | 74 | 140 | 170 | 260 | 350 | 26 | 35 | M20 | 118 | 140 |
| SN 3128 | 125 | 225 | 445 | 130 | 50 | 78 | 150 | 180 | 283 | 380 | 28 | 38 | M24 | 128 | 154 |
| SN 3130 | 135 | 250 | 500 | 150 | 50 | 90 | 150 | 200 | 295 | 420 | 33 | 42 | M24 | 138 | 164 |
| SN 3132 | 140 | 270 | 530 | 160 | 60 | 96 | 160 | 215 | 315 | 450 | 33 | 42 | M24 | 143 | 173 |
| SN 3134 | 150 | 280 | 550 | 160 | 60 | 98 | 170 | 220 | 330 | 470 | 33 | 42 | M24 | 153 | 183 |
| SN 3136 | 160 | 300 | 610 | 170 | 70 | 106 | 180 | 230 | 355 | 520 | 33 | 42 | M30 | 163 | 193 |
| SN 3138 | 170 | 320 | 650 | 180 | 70 | 114 | 190 | 240 | 375 | 560 | 33 | 42 | M30 | 173 | 203 |



| f1 | f2 | ZF Seal | Bolt S | WT kg | Bearing No. | Adapter Sleeve | Felt Seal | Locating Ring | | Housing No. |
|----|------|---------|--------|-------|-------------|----------------|-----------|---------------|------|---------------|
| | | | | | | | | Number | Q'ty | |
| 8 | 10.7 | ZF24 | M24 | 17 | 23024K | H3024 | FS524 | SR180x10 | 1 | SN3024 |
| 8 | 10.7 | ZF26 | M24 | 20 | 23026K | H3026 | FS526 | SR200x10 | 1 | SN3026 |
| 9 | 12.2 | ZF28 | M24 | 25 | 23028K | H3028 | FS528 | SR210x10 | 1 | SN3028 |
| 9 | 12.2 | ZF30 | M24 | 30 | 23030K | H3030 | FS530 | SR225x10 | 1 | SN3030 |
| 10 | 13.7 | ZF32 | M24 | 36 | 23032K | H3032 | FS532 | SR240x10 | 1 | SN3032 |
| 10 | 13.7 | ZF34 | M30 | 51 | 23034K | H3034 | FS534 | SR260x10 | 1 | SN3034 |
| 10 | 13.7 | ZF36 | M30 | 54 | 23036K | H3036 | FS536 | SR280x10 | 1 | SN3036 |
| 10 | 13.7 | ZF38 | M30 | 54 | 23038K | H3038 | FS538 | SR290x10 | 1 | SN3038 |
| 10 | 13.7 | ZF40 | M30 | 61 | 23040K | H3040 | FS540 | SR310x10 | 1 | SN3040 |
| 11 | 15.6 | ZF44 | M36 | 88 | 23044K | H3044 | FS544 | SR340x10 | 1 | SN3044 |

| | | | | | | | | | | |
|----|------|------|-----|----|--------|-------|-------|----------|---|---------------|
| 8 | 10.8 | ZF22 | M24 | 18 | 23122K | H3122 | FS522 | SR180x10 | 1 | SN3122 |
| 8 | 10.7 | ZF24 | M24 | 21 | 23124K | H3124 | FS524 | SR200x10 | 1 | SN3124 |
| 8 | 10.7 | ZF26 | M24 | 26 | 23126K | H3126 | FS526 | SR210x10 | 1 | SN3126 |
| 9 | 12.2 | ZF28 | M24 | 32 | 23128K | H3128 | FS528 | SR225x10 | 1 | SN3128 |
| 9 | 12.2 | ZF30 | M30 | 40 | 23130K | H3130 | FS530 | SR250x10 | 1 | SN3130 |
| 10 | 13.7 | ZF32 | M30 | 50 | 23132K | H3132 | FS532 | SR270x10 | 1 | SN3132 |
| 10 | 13.7 | ZF34 | M30 | 57 | 23134K | H3134 | FS534 | SR280x10 | 1 | SN3134 |
| 10 | 13.7 | ZF36 | M30 | 70 | 23136K | H3136 | FS536 | SR300x10 | 1 | SN3136 |
| 10 | 13.7 | ZF38 | M30 | 85 | 23138K | H3138 | FS538 | SR320x10 | 1 | SN3138 |