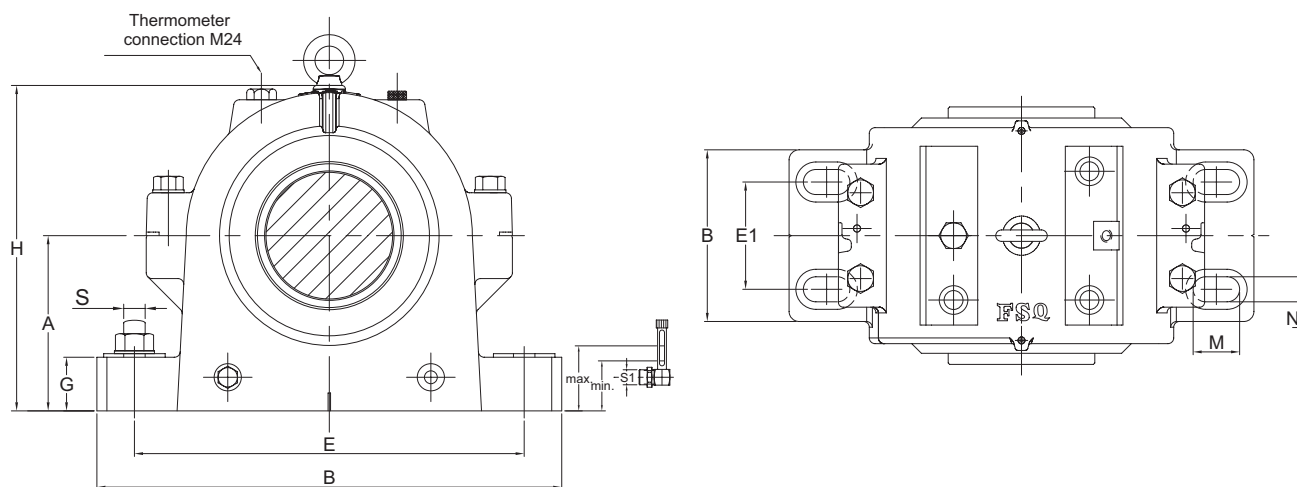


Housing No.	Shaft Dia.			Dimensions mm													
	d	d1	d2 min	D	B	b	G	F	A	H	E	E1	LA	LB	C1	K	M
SOFN 314	70	65	76	150	330	110	35	51	125	230	260	60	180	180	5	80	40
SOFN 316	80	78	86	170	360	135	40	58	140	255	290	80	199	214	5	95	40
SOFN 318	90	88	96	190	400	165	50	64	155	280	317	95	225	240	5	104	45
SOFN 320	100	98	108	215	420	170	55	73	170	315	347	90	255	270	8	115	45
SOFN 322	110	108	118	240	500	190	65	80	190	355	415	100	270	290	8	130	45
SOFN 324	120	118	128	260	540	190	65	86	200	380	450	115	285.5	306	8	140	50
SOFN 326	130	128	140	280	560	205	65	93	215	405	470	120	300	320	8	150	50
SOFN 328	140	138	150	300	630	220	80	102	230	425	510	120	320	340	8	165	60
SOFN 330	150	148	168	320	650	240	75	108	245	455	545	150	335	350	10	175	65
SOFN 332	160	158	178	340	720	250	85	114	260	480	590	150	350	370	10	190	70
SOFN 334	170	168	188	360	730	260	85	120	275	510	600	160	358	378	12	197	70
SOFN 336	180	178	198	380	820	280	95	126	305	565	670	180	384.5	404	12	210	80



N	T	S		S1	S2	Other Dimensions			Bearing No.	Appropriate		Level		Housing No.
		mm	in			X1	Ba	Bb		Lock Nut	Lock Washer	max	min	
24	90	20	3/4	G1/2	G3/8	32	43	112	22314 CC/C3W33	KM 14	MB 14	65	45	SOFN 314
24	107	20	3/4	G1/2	G3/8	27	50	133	22316 CC/C3W33	KM 16	MB 16	73	45	SOFN 316
28	120	24	1	G1/2	G1/2	36	54	148	22318 CC/C3W33	KM 18	MB 18	80	55	SOFN 318
28	135	24	1	G1/2	G1/2	38	62	168	22320 CC/C3W33	KM 20	MB 20	85	57	SOFN 320
35	145	30	1-1/4	G1/2	G3/4	39	66	180	22322 CC/C3W33	KM 22	MB 22	95	67	SOFN 322
35	153	30	1-1/4	G1/2	G3/4	42.5	70	192	22324 CC/C3W33	KM 24	MB 24	100	65	SOFN 324
35	160	30	1-1/4	G1/2	G3/4	45	75	202	22326 CC/C3W33	KM 26	MB 26	105	70	SOFN 326
35	170	30	1-1/4	G1/2	G3/4	40	80	215	22328 CC/C3W33	KM 28	MB 28	115	70	SOFN 328
35	175	30	1-1/4	G1/2	G3/4	45	85	225	22330 CC/C3W33	KM 30	MB 30	120	75	SOFN 330
42	185	36	1-1/2	G1/2	G3/4	45	90	240	22332 CC/C3W33	KM 32	MB 32	125	80	SOFN 332
42	189	36	1-1/2	G1/2	G3/4	45	94	244	22334 CC/C3W33	KM 34	MB 34	130	85	SOFN 334
42	202	36	1-1/2	G1/2	G3/4	54.5	98	260	22336 CC/C3W33	KM 36	MB 36	155	90	SOFN 336