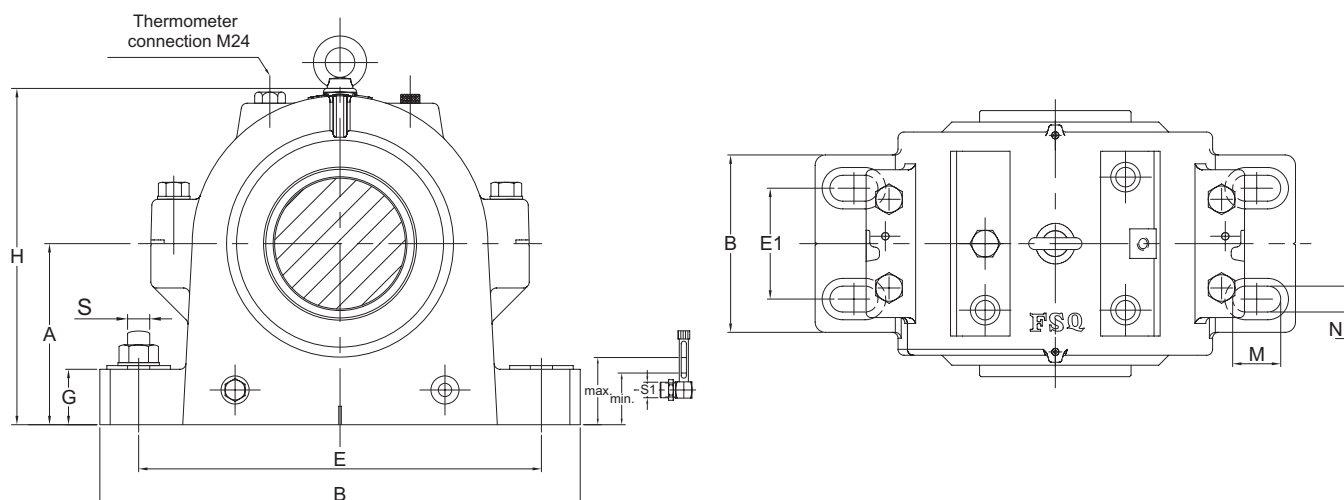


Housing No.	Shaft Dia. d	Dimensions mm													
		D	B	b	G	F	A	H	E	E1	LA	LB	C1	K	M
SOFN 517	75	150	330	110	35	36	125	230	260	60	180	180	5	96	40
SOFN 518	80	160	360	120	45	40	135	245	290	70	187.5	190	5	100	40
SOFN 520	90	180	400	130	50	46	145	270	320	75	203	206	5	110	45
SOFN 522	100	200	420	145	50	53	160	290	347	75	219.5	229	5	120	45
SOFN 524	110	215	420	170	55	58	170	315	347	90	263	276	8	135	45
SOFN 526	115	230	450	180	60	64	180	335	377	100	260	270	8	145	45
SOFN 528	125	250	500	190	65	68	190	355	415	100	269.5	280	8	160	45
SOFN 530	135	270	540	190	65	73	200	380	450	115	269.5	280	8	170	50
SOFN 532	140	290	560	205	65	80	215	405	470	120	305.5	316	10	178	50
SOFN 534	150	310	610	230	70	86	235	440	515	130	340	350	10	195	55
SOFN 536	160	320	650	240	75	86	245	455	545	150	350	360	10	205	65
SOFN 538	170	340	720	250	85	92	260	480	590	150	360	370	12	220	70
SOFN 540	180	360	730	260	85	98	275	510	600	160	366.5	378	12	227	70
SOFN 544	200	400	820	280	95	108	305	565	670	180	389.5	404	12	255	80
SOFN 548	220	440	900	290	100	120	340	625	740	190	412.5	420	12	270	80



N	T	S		S1	S2	Other Dimensions		Bearing No.	Adapter Sleeve Designation	Level		Housing No.
		mm	in			X1	Ba			max	min	
24	90	20	3/4	G1/2	G3/8	35	40	22217 CCK/C3W33	H317	63	42	SOFN 517
24	95	20	3/4	G1/2	G3/8	35.5	42	22218 CCK/C3W33	H318	68	45	SOFN 518
28	103	24	1	G1/2	G1/2	39	46	22220 CCK/C3W33	H320	70	50	SOFN 520
28	114.5	24	1	G1/2	G1/2	33	52	22222 CCK/C3W33	H322	77	50	SOFN 522
28	138	24	1	G1/2	G1/2	49	56	22224 CCK/C3W33	H3124	80	60	SOFN 524
28	135	24	1	G1/2	G1/2	47	58	22226 CCK/C3W33	H3126	85	60	SOFN 526
35	140	30	1-1/4	G1/2	G3/4	46.5	63	22228 CCK/C3W33	H3128	85	60	SOFN 528
35	140	30	1-1/4	G1/2	G3/4	43.5	66	22230 CCK/C3W33	H3130	90	60	SOFN 530
35	158	30	1-1/4	G1/2	G3/4	54.5	73	22232 CCK/C3W33	H3132	95	65	SOFN 532
35	175	30	1-1/4	G1/2	G3/4	58	77	22234 CCK/C3W33	H3134	105	75	SOFN 534
35	180	30	1-1/4	G1/2	G3/4	62	78	22236 CCK/C3W33	H3136	115	80	SOFN 536
42	185	36	1-1/2	G1/2	G3/4	63	82	22238 CCK/C3W33	H3138	120	85	SOFN 538
42	189	36	1-1/2	G1/2	G3/4	61.5	86	22240 CCK/C3W33	H3140	125	85	SOFN 540
42	202	36	1-1/2	G1/2	G3/4	62.5	95	22244 CCK/C3W33	OH3144 HB	140	95	SOFN 544
42	210	36	1-1/2	G1/2	G3/4	67.5	105	22248 CCK/C3W33	OH3148 HB	155	110	SOFN 548