

## Stainless Steel 2-Bolt Flange Units

### Set Screw Locking

#### Material

**Housing** : SUS 440C Stainless

#### Bearing Inserts

Inner & Outer Rings : 440C

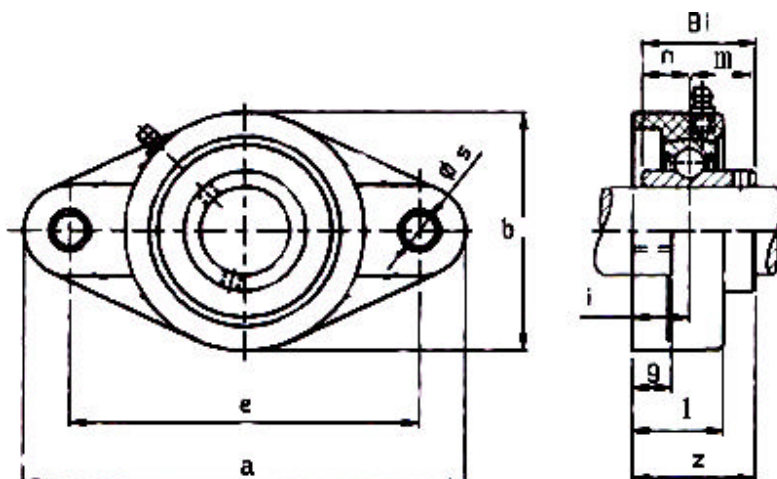
Retainer : 410C

Steel Balls : 440C

Oil Seals : 410C

Set Screw : 440C

Steel Plate Slinger : 410C



Unit No.	Shaft Dia.		Dimensions (mm/inch)										Bearing No.	Housing No.
	mm	inch	a	e	i	g	l	s	b	z	Bi	n		
SUCFL 204	20		112	89.7	15.1	11.5	25.4	11	60	33.3	31	12.7	SUC204	SFL204
SUCFL 204-12		3/4	4.41	3.53	0.59	0.45	1.00	0.43	2.36	1.31	1.22	0.50	SUC204-1	SFL204
SUCFL 205	25		125	98.8	15.9	13	27	12	68	35.8	34.1	14.3	SUC205	SFL205
SUCFL 205-16		1	4.92	3.89	0.63	0.51	1.06	0.47	2.68	1.41	1.34	0.56	SUC205-1	SFL205
SUCFL 206	30		141	116.7	17.9	13	30	12	80	40.2	38.1	15.9	SUC206	SFL206
SUCFL 206-18		1-1/8	5.55	4.59	0.70	0.51	1.18	0.47	3.15	1.59	1.50	0.63	SUC206-1	SFL206
SUCFL 207	35		155.5	130.2	19.1	14.3	33	13	90	44.4	42.9	17.5	SUC207	SFL207
SUCFL 207-20		1-1/4	6.12	5.13	0.75	0.56	1.30	0.51	3.54	1.75	1.69	0.69	SUC207-2	SFL207
SUCFL 207-22		1-3/8	6.12	5.13	0.75	0.56	1.30	0.51	3.54	1.75	1.69	0.69	SUC207-2	SFL207
SUCFL 208	40		171.5	143.7	21	14.3	36	13	100	51.2	49.2	19.0	SUC208	SFL208
SUCFL 208-24		1-1/2	6.75	5.66	0.83	0.56	1.47	0.51	3.94	2.03	1.94	0.75	SUC208-2	SFL208
SUCFL 209	45		179	148.4	21.8	14.3	37	16	108	52.2	49.2	19.0	SUC209	SFL209
SUCFL 210	50		189	157	21.8	15.1	38	16	115	54.6	51.6	19.0	SUC210	SFL210

Note: Other sizes are also available. Please contact with [fsqsales@fairfriend.com.tw](mailto:fsqsales@fairfriend.com.tw)