

Stainless Steel Pillow Blocks Units

Set Screw Locking, Solid Base

Material

Housing : SUS 440C Stainless

Bearing Inserts

Inner & Outer Rings : 440C

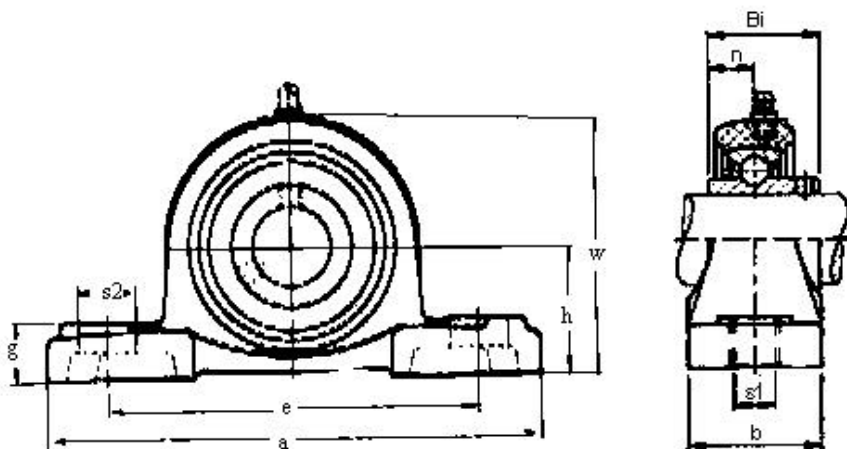
Retainer : 410C

Steel Balls : 440C

Oil Seals : 410C

Set Screw : 440C

Steel Plate Slinger : 410C



| Unit No. | Shaft Dia. | | Dimensions (mm/inch) | | | | | | | | | | Bearing No. | Housing No. |
|-------------|------------|-------|----------------------|------|------|------|------|------|------|-------|------|------|-------------|-------------|
| | mm | inch | h | a | e | b | s2 | s1 | g | w | Bi | n | | |
| SUCP 204 | 20 | | 33 | 127 | 95 | 39 | 19 | 13 | 16 | 64.1 | 31 | 12.7 | SUC204 | SP204 |
| SUCP 204-12 | | 3/4 | 1.31 | 5.00 | 3.75 | 1.50 | 0.75 | 0.50 | 0.50 | 2.47 | 1.22 | 0.50 | SUC204-1 | SP204 |
| SUCP 205 | 25 | | 36.5 | 140 | 105 | 39 | 19 | 13 | 16 | 70 | 34.1 | 14.3 | SUC205 | SP205 |
| SUCP 205-16 | | 1 | 0.44 | 5.08 | 4.13 | 1.53 | 0.73 | 0.05 | 0.63 | 2.75 | 1.34 | 0.56 | SUC205-1 | SP205 |
| SUCP 206 | 30 | | 42.9 | 160 | 121 | 47.1 | 21 | 15 | 17 | 84 | 38.1 | 15.9 | SUC206 | SP206 |
| SUCP 206-18 | | 1-1/8 | 1.69 | 6.30 | 4.75 | 1.84 | 0.81 | 0.58 | 0.98 | 3.31 | 1.50 | 0.63 | SUC206-1 | SP206 |
| SUCP 207 | 35 | | 47.6 | 167 | 127 | 48 | 21 | 17 | 20 | 94 | 42.9 | 17.5 | SUC207 | SP207 |
| SUCP 207-20 | | 1-1/4 | 1.87 | 6.56 | 5.00 | 1.87 | 0.81 | 0.67 | 0.78 | 3.69 | 1.69 | 0.69 | SUC207-2 | SP207 |
| SUCP 207-22 | | 1-3/8 | 1.87 | 6.56 | 5.00 | 1.87 | 0.81 | 0.67 | 0.78 | 3.69 | 1.69 | 0.69 | SUC207-2 | SP207 |
| SUCP 208 | 40 | | 49.2 | 184 | 137 | 55 | 22 | 17 | 20 | 101.2 | 49.2 | 19 | SUC208 | SP208 |
| SUCP 208-24 | | 1-1/2 | 1.94 | 7.25 | 5.39 | 2.16 | 0.86 | 0.67 | 0.78 | 3.98 | 1.94 | 0.75 | SUC208-2 | SP208 |
| SUCP 209 | 45 | | 55 | 190 | 146 | 55 | 25 | 17 | 22 | 109 | 49.2 | 19 | SUC209 | SP209 |
| SUCP 210 | 50 | | 57.2 | 206 | 159 | 61 | 25 | 20 | 23 | 114 | 51.6 | 19 | SUC210 | SP210 |

Note: Other sizes are also available. Please contact with fsqsales@fairfriend.com.tw