

Stainless Steel Tapped Base Units

Set Screw Locking

Material

Housing : SUS 440C Stainless

Bearing Inserts

Inner & Outer Rings : 440C

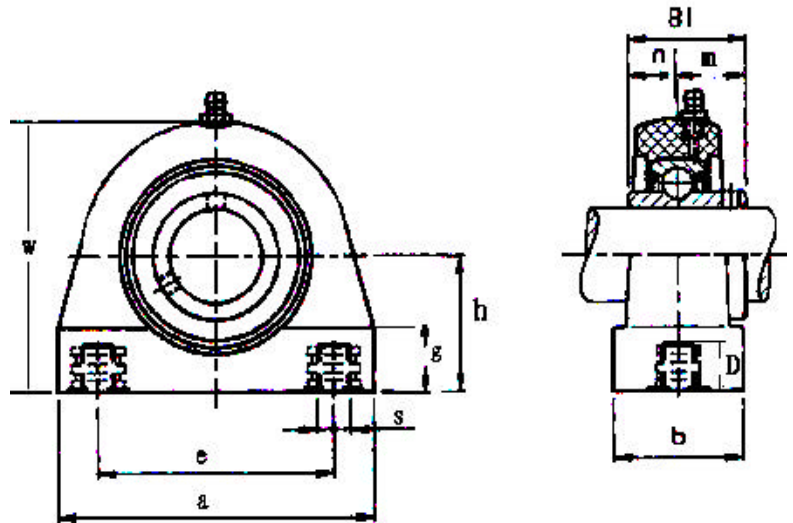
Retainer : 410C

Steel Balls : 440C

Oil Seals : 410C

Set Screw : 440C

Steel Plate Slinger : 410C



Unit No.	Shaft Dia.		Dimension (mm/inch)								Bearing No.	Housing No.
	mm	inch	h	b	a	m	w	g	n	Bi		
SUCPA 204	20		33.3	38	62	52	76	13	12.7	31	SUC204	SPA204
SUCPA 204-12		3/4	1.31	1.50							SUC204-12	SPA204
SUCPA 205	25		36.5	38	72	56	84	13	14.3	34	SUC205	SPA205
SUCPA 205-16		1	1.44	1.50							SUC205-16	SPA205
SUCPA 206	30		42.9	38	84	66	94	16	15.9	38.1	SUC206	SPA206
SUCPA 206-18		1-1/8	1.69	1.50							SUC206-18	SPA206
SUCPA 207	35		47.6	48	95	80	110	18	17.5	42.9	SUC207	SPA207
SUCPA 207-20		1-1/4	1.87	1.89							SUC207-20	SPA207
SUCPA 207-22		1-3/8	1.87	1.89							SUC207-22	SPA207
SUCPA 208	40		49.2	48	100	84	116	20	19	42.9	SUC208	SPA208
SUCPA 208-24		1-1/2	1.94	1.89							SUC208-24	SPA208
SUCPA 209	45		54.2	51	108	90	120	20	19	42.9	SUC209	SPA209
SUCPA 210	50		57.2	51	116	94	130	22	19	51.6	SUC210	SPA210

Note: Other sizes are also available. Please contact with fsqsales@fairfriend.com.tw