

Thermoplastic Housings & Stainless Steel Bearings

Set Screw Locking

Material

Housing : Reinforced PBT

Bearing Inserts

Inner & Outer Rings : 440C

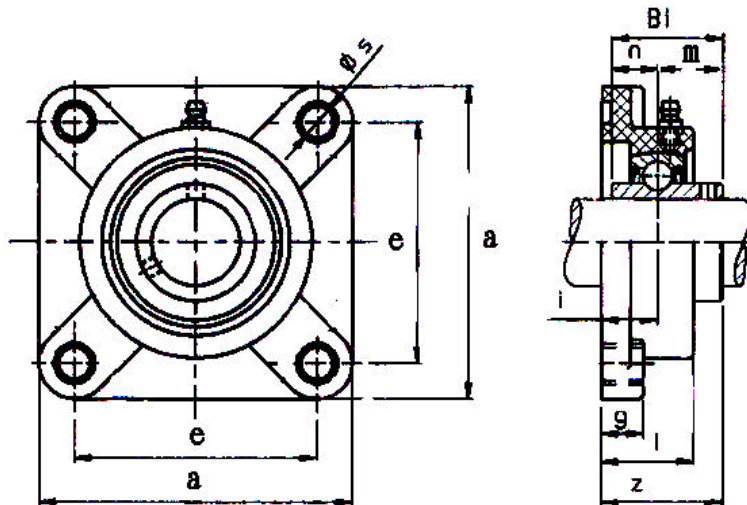
Retainer : 410C

Steel Balls : 440C

Oil Seals : 410C

Set Screw : 440C

Steel Plate Slinger : 410C



Unit No.	Shaft Dia.	Dimensions (mm)								Bearing No.	Housing No.
	mm	a	e	g	l	s	z	i	Bi		
SUCPF 204	20	86	63.5	13.4	27.8	11	36.3	18	31	SUC204	PF204
SUCPF 205	25	95	70	14.3	28	11	36.7	17	34	SUC205	PF205
SUCPF 206	30	107	83	14.3	31.5	11	41.4	19.2	38.1	SUC206	PF206
SUCPF 207	35	117	92	15.5	34.8	13	46.9	21.5	42.9	SUC207	PF207
SUCPF 208	40	130	102	17	37.5	14	53.2	23	42.9	SUC208	PF208

Note: Other sizes are also available. Please contact with fsqsales@fairfriend.com.tw