

## Thermoplastic housings & Stainless Steel Bearings

### Set Screw Locking

#### Material

**Housing** : Reinforced PBT

#### Bearing Inserts

Inner & Outer Rings : 440C

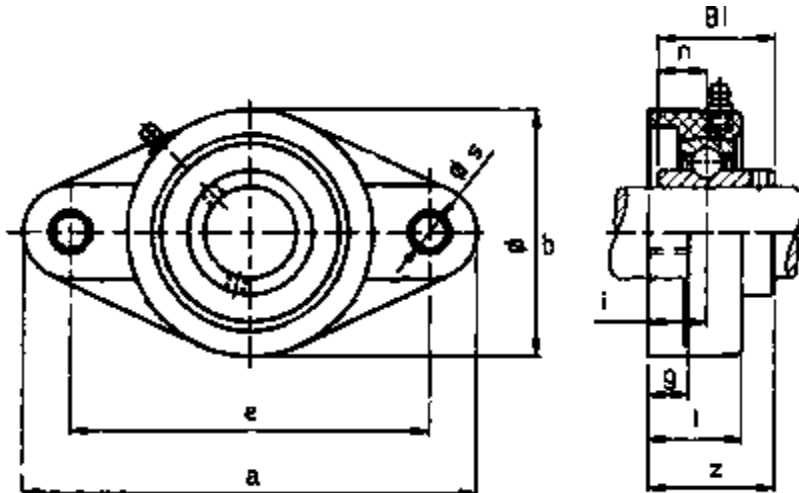
Retainer : 410C

Steel Balls : 440C

Oil Seals : 410C

Set Screw : 440C

Steel Plate Slinger : 410C



Unit No.	Shaft Dia.	Dimensions (mm)									Bearing No.	Housing No.
	mm	a	e	b	g	l	s	z	i	Bi		
SUCPFL 204	20	113	90	65	13.4	26.5	11	33.7	15	31	SUC204	PFL204
SUCPFL 205	25	131	99	70	14.3	29.1	11	36.7	16	34	SUC205	PFL205
SUCPFL 206	30	148	117	80	14.3	30	11	41.2	19	38.1	SUC206	PFL206
SUCPFL 207	35	164	130	90	15.5	32.8	13	43.4	18	42.9	SUC207	PFL207
SUCPFL 208	40	176	144	100	17	37.5	14	51.7	21.5	42.9	SUC208	PFL208

Note: Other sizes are also available. Please contact with [fsqsales@fairfriend.com.tw](mailto:fsqsales@fairfriend.com.tw)