

## Thermoplastic Housings & Stainless Steel Bearings

### Set Screw Locking, Solid Base

#### Material

**Housing** : Reinforced PBT

#### Bearing Inserts

Inner & Outer Rings : 440C

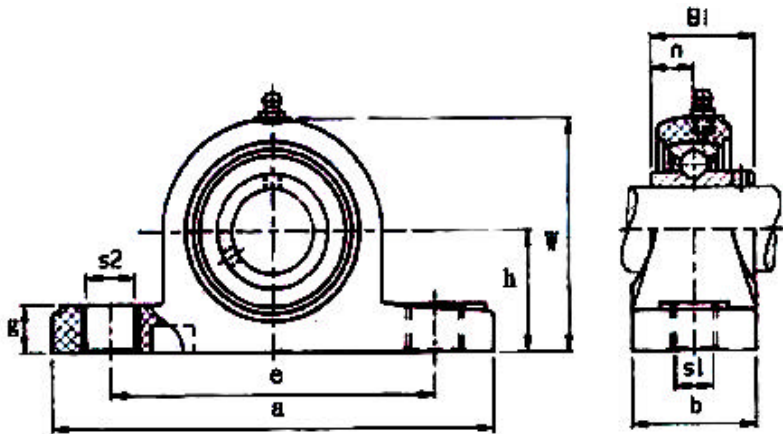
Retainer : 410C

Steel Balls : 440C

Oil Seals : 410C

Set Screw : 440C

Steel Plate Slinger : 410C



| Unit No.  | Shaft dia.<br>mm | Dimensions (mm/inch) |     |     |    |    |    |      |      |      | Bearing<br>No. | Housing<br>No. |
|-----------|------------------|----------------------|-----|-----|----|----|----|------|------|------|----------------|----------------|
|           |                  | h                    | a   | e   | b  | s1 | s2 | g    | w    | Bi   |                |                |
| SUCPP 204 | 20               | 33.3                 | 127 | 95  | 38 | 11 | 14 | 14.2 | 65.5 | 31   | SUC204         | PP204          |
| SUCPP 205 | 25               | 36.5                 | 141 | 105 | 38 | 11 | 14 | 14.5 | 71   | 34   | SUC205         | PP205          |
| SUCPP 206 | 30               | 42.9                 | 162 | 119 | 46 | 14 | 18 | 17.8 | 84   | 38.1 | SUC206         | PP206          |
| SUCPP 207 | 35               | 47.6                 | 167 | 127 | 48 | 14 | 18 | 18   | 94.5 | 42.9 | SUC207         | PP207          |
| SUCPP 208 | 40               | 49.2                 | 184 | 137 | 54 | 14 | 18 | 19.5 | 99   | 49.2 | SUC208         | PP208          |

Note: Other sizes are also available. Please contact with [fsqsales@fairfriend.com.tw](mailto:fsqsales@fairfriend.com.tw)