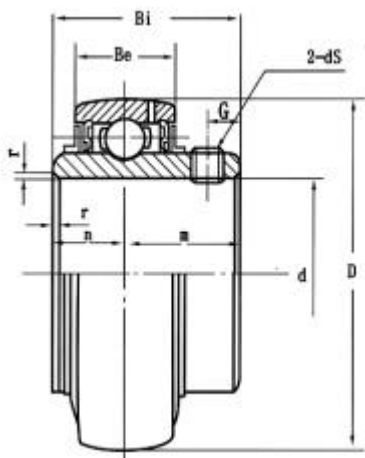


Set Screw Locking



Bearing No.	Shaft Dia.		Dimensions (mm/inch)							Load Rating	
	mm	inch	D	Bi	Be	r	n	G	ds	Cr (KN)	Cor (KN)
UC 305	25		62	38	21	2	15	6	M6x0.75	17.2	11.2
UC 305-14		7/8							1/4-28(UNF)		
UC 305-15		15/16									
UC 305-16		1									
UC 306	30		72	43	23	2	17	6	M6x0.75	20.8	14.2
UC 306-18		1-1/8							1/4-28(UNF)		
UC 306-19		1-3/16									
UC 307	35		80	48	25	2.5	19	8	M8x1	25.8	17.8
UC 307-20		1-1/4							5/16-24(UNF)		
UC 307-21		1-5/16									
UC 307-22		1-3/8									
UC 307-23		1-7/16									
UC 308	40		90	52	27	2.5	19	10	M10x1.25	31.2	22.2
UC 308-24		1-1/2							3/8-24(UNF)		
UC 308-25		1-9/16									
UC 309	45		100	57	30	2.5	22	10	M10x1.25	40.8	29.8
UC 309-26		1-5/8							3/8-24(UNF)		
UC 309-27		1-11/16									
UC 309-28		1-3/4									
UC 310	50		110	61	32	3	22	12	M12x1.5	47.5	35.5
UC 310-30		1-7/8							7/16-20(UNF)		
UC 310-31		1-15/16									
UC 311	55		120	66	34	3	25	12	M12x1.5	55.2	41.8
UC 311-32		2							7/16-20(UNF)		
UC 311-34		2-1/8									
UC 311-35		2-3/16									
UC 312	60		130	71	36	3.5	26	12	M12x1.5	62.8	48.5
UC 312-36		2-1/4							1/2-20(UNF)		
UC 312-38		2-3/8									
UC 312-39		2-7/16									
UC 313	65		140	75	38	3.5	30	12	M12x1.5	72.2	56.5
UC 313-40		2-1/2							1/2-20(UNF)		