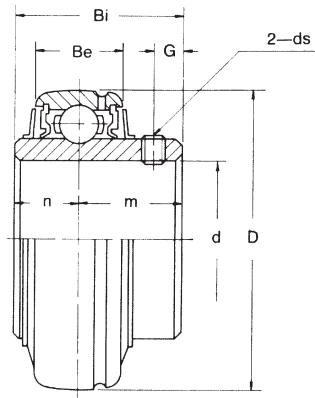


Set Screw Type



Bearing No.	Bore Dia. of Bearing		Dimensions (in.) (mm)							Basic Load Rating lbs/kg	Basic Static Load Rating lbs/kg	Weight	
	d		D	Bi	Be	n	m	G	ds			kg	lbs
	(in.)	(mm)											
UC 201	1/2	12										0.21	0.46
201-8												0.21	0.46
202	5/8	15	1.8504	1.2205	0.6299	0.5000	0.7205	0.1969	1/4-28	2230	1390	0.19	0.42
202-10												0.19	0.42
203	3/4	17	47	31.0	16	12.7	18.3	5	6 x 1	1010	630	0.18	0.40
203												0.16	0.35
204-12	3/4	20										0.16	0.35
204												0.16	0.35
UC 205-14	7-8		2.0472	1.3368	0.6693	0.5630	0.7756	0.2165	1/4-28	2420	1560	0.23	0.51
205-15	15/16												0.21
205	1	25	52	34.0	17	14.3	19.7	5.5	6x1	1100	710	0.20	0.44
205-16	1											0.20	0.44
UC 206-18	1-1/8	30	2.4409	1.5000	0.7480	0.6260	0.8740	0.2362	5/16-24	3370	2250	0.34	0.75
206												0.32	0.70
206-19	1-3/16		62	38.1	19	15.9	22.2	6	8x1	1530	1020	0.32	0.70
UC 207-20	1-1/4		2.8346	1.6890	0.7874	0.6890	1.0000	0.2559	5/16-24	4444	3060	0.54	1.19
207-21	1-5/16												0.51
207-22	1-3/8	35	72	42.9	20	17.5	25.4	6.5	8x1	2020	1390	0.48	1.06
207												0.48	1.06
207-23	1-7/16											0.45	0.99
UC 208-24	1-1/2	40	3.1496	1.9370	0.8268	0.7480	1.1890	0.3150	5/16-24	5020	3500	0.68	1.50
208-25	1-9/16												0.65
208			80	49.2	21	19.0	30.2	8	8x1	2280	1290	0.64	1.41
UC 209-26	1-5/8		3.3465	1.9370	0.8661	0.7480	1.1890	0.3150	5/16-24	5630	3980	0.78	1.72
209-27	1-11/16												0.74
209-28	1-3/4	45	85	49.2	22	19.0	30.2	8	8x1	2560	1810	0.70	1.54
209												0.68	1.50
UC 210-30	1-7/8		3.5433	2.0315	0.9449	0.7480	1.2835	0.3543	5/16-24	6050	4444	0.87	1.91
210-31	1-15/16												0.85
210		50	90	51.6	24	19.0	32.6	9	2x1	2750	2020	0.80	1.76
UC 211-32	2		3.9370	2.1890	0.9843	0.8740	1.3150	0.3543	3/8-24	7490	5620	1.26	2.77
211-34	2-1/8												1.15
211	2-3/16	55	100	55.6	25	22.2	33.4	9	10x1.25	3400	2550	1.11	2.44
211-35			1.09	2.40									
UC 212-36	2-1/4	60	4.3307	2.5630	1.0630	1.0000	1.5630	0.4134	3/8-24	9040	6940	1.67	3.67
212												1.54	3.39
212-38	2-3/8		110	65.1	27	25.4	39.7	10.5	10x1.25	4100	3150	1.52	3.34
212-39	2-7/16											1.45	3.19
UC 213-40	3-1/2	65	4.7244	2.5630	1.1024	1.0000	1.5630	0.4724	3/8-24	9920	7590	1.94	4.27
212												1.86	4.09