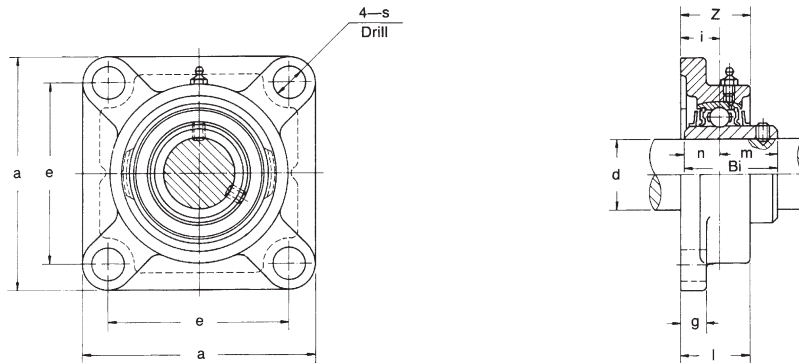


**Set Screw Type - Normal Duty**



Unit No.	Shaft Dia.		Dimensions (in.)										Bolt Used		Bearing No.	Housing No.	Weight			
	d		(mm)										(mm)	(in.)			kg	lbs		
	(in.)	(mm)	a	e	i	g	l	s	Z	Bi	n	m								
UCF 201		12														UC 201				
201-8	1/2															201-8				
202		15														202				
202-10	5/8		3-3/8	2-32/64	14/32	7/16	1	15/32	1-5/16	1.2205	0.5000	0.7205	10	3/8	202-10	F 204	0.65	1.43		
203		17	86	64	15	11	25.5	12	33.3	31.0	12.7	18.3			203					
204-12	3/4														204-12					
204		20													204					
UCF 205-14	7/8														UC 205-14					
205-15	15/16		3-3/4	2-3/4	5/8	1/2	1-1/16	15/32	1-13/32	1.3386	0.5630	0.7756	10	3/8	205-15	F 205	0.90	1.98		
205		25	95	70	16	13	27	12	35.7	34.0	14.3	19.7			205					
205-16	1														205-16					
UCF 206-18	1-1/8														UC 206-18					
206		30	4-1/4	3-17/64	45/64	1/2	1-7/32	15/32	1-19/32	1.5000	0.6260	0.8740	10	3/8	206	F 206	1.25	2.75		
206-19	1-3/16														206-19					
UCF 207-20	1-1/4														UC 207-20					
207-21	1-5/16		4-19/32	3-5/8	3/4	19/32	1-11/32	35/64	1-3/4	1.6890	0.6890	1.0000			207-21					
207-22	1-3/8		117	92	19	15	34	14	44.4	42.9	17.5	25.4	12	7/16	207-22	F 207	1.65	3.63		
207		35													207					
207-23	1-7/16														207-23					
UCF 208-24	1-1/2														UC 208-24					
208-25	1-9/16		5-1/8	4-1/64	53/64	19/32	1-13/32	5/8	2-1/32	1.9370	0.7480	1.1890	14	1/2	208-25	F 208	2.20	4.84		
208		40	130	102	21	15	36	16	51.2	49.2	19.0	30.2			208					
UCF 209-26	1-5/8														UC 209-26					
209-27	1-11/16		5-13/32	4-9/64	55/64	5/8	1-1/2	5/8	2-1/16	1.9370	0.7480	1.1890	14	1/2	209-27	F 209	2.50	5.50		
209-28	1-3/4		137	105	22	16	38	16	52.2	49.2	19.0	30.2			209-28					
209		45													209					
UCF 210-30	1-7/8														UC 210-30					
210-31	1-15/16		5/5-8	4-3/8	55/64	5/8	1-9/16	5/8	2-5/32	2.0315	0.7480	1.2835	14	1/2	210-31	F 210	2.75	6.05		
210		50	143	111	22	16	40	16	54.6	51.6	19.0	32.6			210					
UCF 211-32	2														UC 211-32					
211-34	2-1/8		6-3/8	5-1/8	63/64	23/32	1-11/16	3/4	2-5/16	2.1890	0.8740	1.3150	16	5/8	211-34	F 211	3.95	8.69		
211		55	162	130	25	18	43	19	58.4	55.6	22.2	33.4			211					
211-35	2-3/16														211-35					
UCF 212-36	2-1/4														UC 212-36					
212		60	6-7/8	5-5/8	1-9/64	23/32	1-7/8	3/4	2-23/32	2.5630	1.0000	1.5630	16	5/8	212	F 212	5.00	11.00		
212-38	2-3/8		175	143	29	18	48	19	68.7	65.1	25.4	39.7			212-38					
212-39	2-7/16														212-39					
UCF 213-40	2-1/2														UC 213-40					
213		65	7-3/8	5-55/64	1-3/16	7/8	1-31/32	3/4	2-3/4	2.5630	1.0000	1.5630	16	5/8	213	F 213	6.00	13.20		

Dimensions listed is for reference only