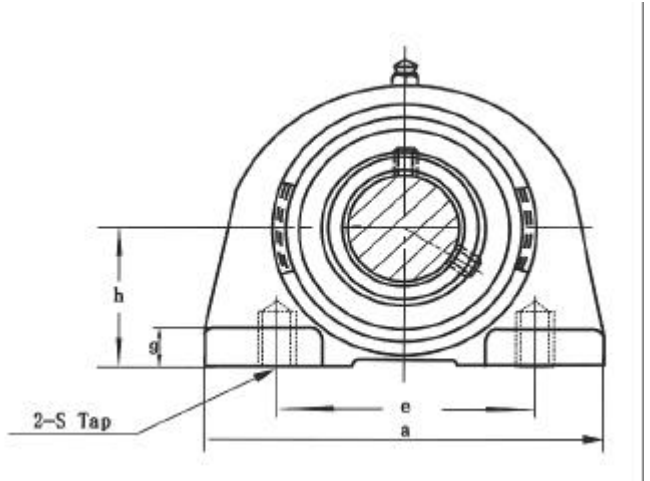
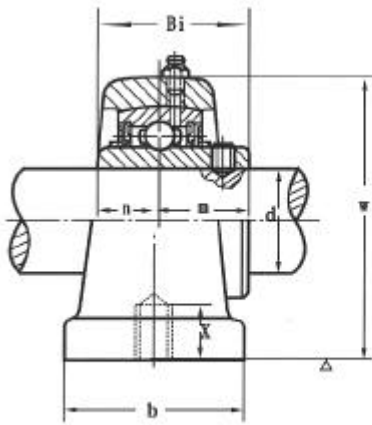


Cast Iron Taped Base Units Set Screw Locking



Unit No.	Shaft dia.	Dimensions (mm)									
	mm	h	b	w	e	a	t	g	n	r	Bi
UCPA 201	12	30.2	38	62	52	76	M10x1.5	8	12.7	13	31
UCPA 202	15	30.2	38	62	52	76	M10x1.5	8	12.7	13	31
UCPA 203	17	30.2	38	62	52	76	M10x1.5	8	12.7	13	31
UCPA 204	20	30.2	38	62	52	76	M10x1.5	8	12.7	13	31
UCPA 205	25	36.5	38	72	56	84	M10x1.5	10	14.3	13	34
UCPA 206	30	42.9	48	84	66	94	M14x2	10	15.9	18	38.1
UCPA 207	35	47.6	48	95	80	110	M14x2	12	17.5	20	42.9
UCPA 208	40	49.2	54	100	84	116	M14x2	12	19	20	42.9
UCPA 209	45	54.2	54	108	90	120	M14x2	12	19	25	42.9
UCPA 210	50	57.2	60	116	94	130	M16x2	14	19	25	51.6