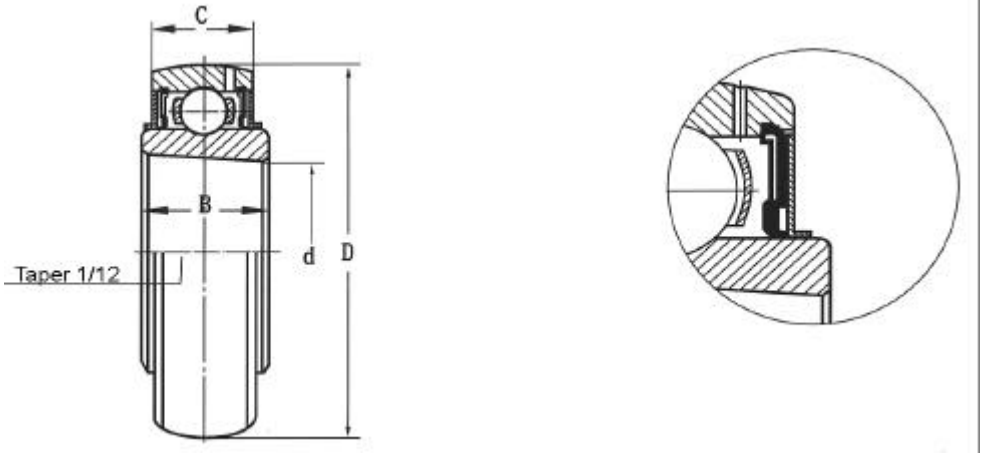


Spherical Radial Ball Bearing



Bearing No.	Dimensions (mm/inch)				Load Rating	
	d	D	B	C	C_r (KN)	C_{or} (KN)
UK 205	25	52	23	17	10.8	0.15
UK 206	30	62	26	19	15.0	0.25
UK 207	35	72	27	20	19.8	0.37
UK 208	40	80	29	21	22.8	0.48
UK 209	45	85	30	22	24.5	0.53
UK 210	50	90	31	23	27.0	0.59
UK 211	55	100	33	24	33.5	0.77
UK 212	60	110	36	26	36.8	1.03
UK 213	65	120	38	27	44.0	1.36
UK 215	75	130	41	30	50.8	1.67
UK 216	80	140	44	32	55.0	1.96
UK 217	85	150	46	34	64.0	2.42
UK 218	90	160	49	36	73.8	3.00